

# Door Latches

Innovative, Flexible, Secure



LS-1802GF



LS-2200



LS-2250

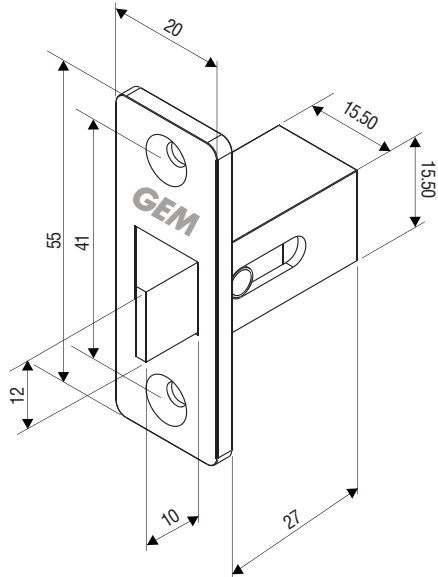


LS-3500/3600

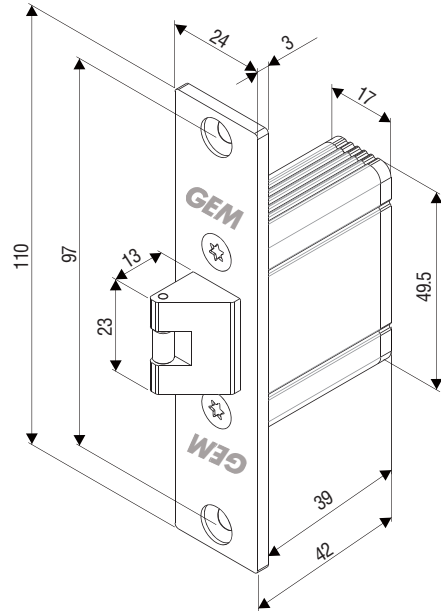
GEM door latches are compatible with all GEM electric strikes and are ideal for securing auxiliary doors, such as dutch doors, communicating doors, or closet doors. The LS-3500/3600 can be used with an operating device for convenience. Designed with an auxiliary deadlatch, the LS-3500/3600 also provides security and privacy in a variety of applications.

Models	Latch	Deadlatch	Strike	Operating Device	Door Type	Construction	
						Faceplate	Body
<b>LS-1802GF</b>	Stainless steel latchbolt	–	–	–	Wood	Zinc alloy	Zinc alloy
<b>LS-2200</b>	Anti-friction, stainless steel roller latchbolt	–	–	–	Wood	Stainless steel	Aluminum alloy
<b>LS-2250</b>	Stainless steel latchbolt	–	–	–	Wood	Stainless steel	Stainless steel
<b>LS-3500</b>	Reversible, stainless steel latchbolt	•	•	Knob, Lever, Thumb turn	Wood	Square corner, Stainless steel	Zinc alloy
					Hollow metal	Round corner, Stainless steel	
<b>LS-3600</b>	Reversible, stainless steel latchbolt	•	•	Cylindrical Knob/Lever	Wood	Square corner, Stainless steel	Zinc alloy
					Hollow metal	Round corner, Stainless steel	

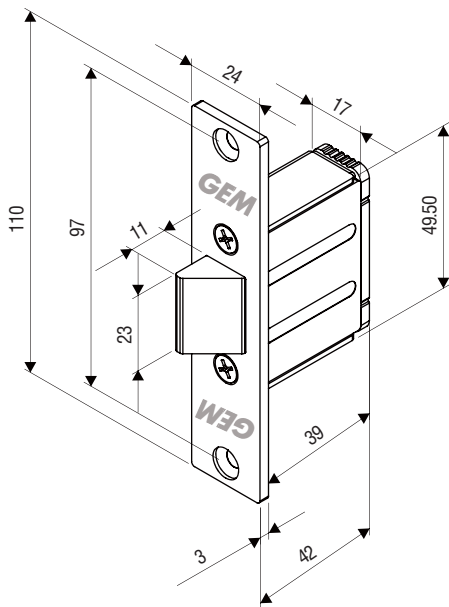
LS-1802GF



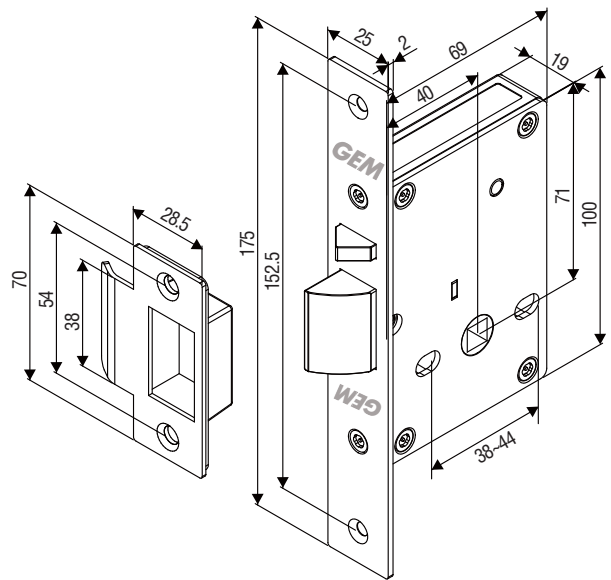
LS-2200



LS-2250



LS-3500/3600 (Backset:40mm)



Warranty

The product is warranted against defects in material and workmanship while used in normal service for a period of 1 year from the date of sale to the original customer. The GEM policy is one of continual development and improvement; therefore GEM reserves the right to change specifications without notice.