

E-ACCESS[®]

E1196

Access Control Readers

Connect with any Bluetooth smartphone for easy and quick access anywhere

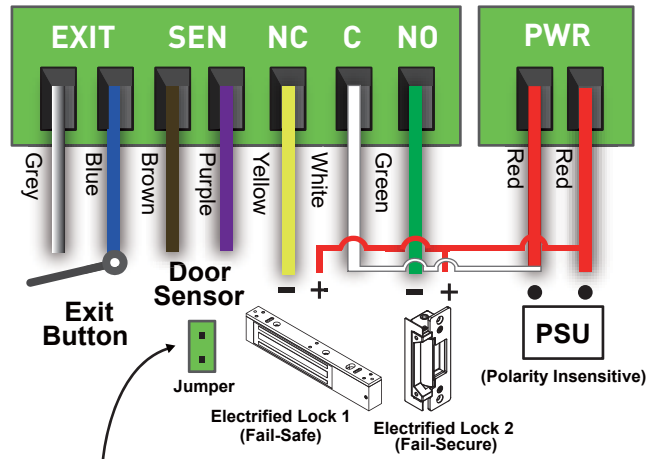


Standard Features

- Unlocking the door from Bluetooth smartphone within Bluetooth range of the reader.
- E-Access E1196 app allows Master to grant/disable access and manage user data.
- 1 Administrator, 196 Users.
- Surface mounted and anti-tailgate protected.
- Buzzer: Ideal to warn of prolonged door open. 85dBA.
- Bi-stable Relay:
When you select to enable Bi-stable function, you can press down the E button on the screen for few seconds to activate and keeps the door unlocked indefinitely.
- E1196 can be operated with magnetic door locks, strikes, exit buttons, door sensors, power supplies, etc.



24 VDC (Max.)
Power In



Jumper, to disable door sensor input (Factory Default)

Specifications

Power In	12 to 24 VDC, 50mA, 1W
Bluetooth Spec	Bluetooth low energy 4.0 standard
Operating Distance	50 meters
Proximity Distance	50 meters (Configurable, for hands-free operation)
Relay Current	5A max
Operating Temperature	+14° to 104°F (-10° to + 40 °C)
LED Status Indicator	Blue: Bluetooth is active Green: Unlocked status Red: Power reset
Dimensions	4-1/2" x 2-3/4" x 1-3/16" (114 x 69.5 x 30 mm)
Color	Black/White

Warranty

The product is warranted against defects in material and workmanship while used in normal service for a period of 1 year from the date of sale to the original client. The GEM policy is one of continual development and improvement; therefore GEM reserves the right to change specifications without notice.

How Does E-Access Work?

- ✓ E-Access allows users to unlock any door with a smartphone via bluetooth technology. E-Access E1196 app is a smart app, not only you can quickly control access, but also you can grant/disable access and manage users in a very quick and simple way.

Can I Use E-Access with My Existing Cell Phone?

- ✓ **YES:** As long as an existing cell phone is a Bluetooth smartphone it can be used for E-Access. You may even unlock the door while on a phone call.

How Can I Get E-Access APP on My Cell Phone?

- ✓ Download "E-Access E1196" App through Apple Store or Google Play.