



# Electric Dropbolts

# EB160

## Fail-Safe Series Secure and Intelligent Bolts

The EB160 series fail-safe electric dropbolt can be mounted horizontally or vertically. It is designed for use on double action doors and is ideal for applications where electromagnets or electric strikes are impractical. Surface mount models are also available for hollow metal door or frameless glass door applications.

### Standard Features

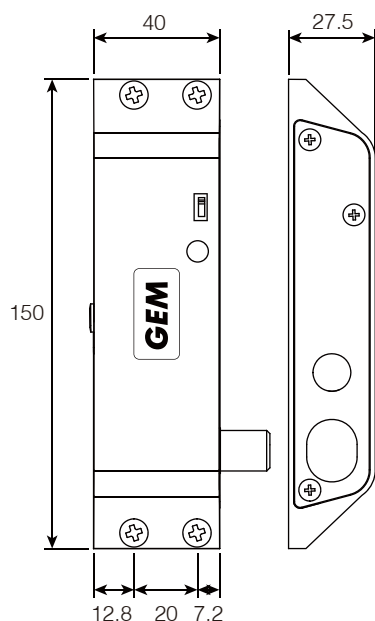
- Horizontal or vertical installation
- For double or single action doors
- Energy saving design
- Intelligent electronics
- Vandal resistant circuit design
- Relock time delay (Selectable from 0,3,6 seconds)
- Zinc alloy body construction

### Specifications

- Mode: Fail-Safe
- Operating Voltage: 12 / 24 VDC
- Operating Temperature: -10°C~+49°C
- Humidity: 0~85% non-condensing
- Current Draw
  - Pull in:0.90Amps ; Holding:0.15Amps / 12VDC
  - Pull in:0.45Amps ; Holding:0.10Amps / 24VDC
- Door Position Status Output
  - Rating : 0.25Amps / 30VDC
- Relock time delay (Selectable from 0, 3, 6 seconds)
- Dropbolt throw: 16 mm

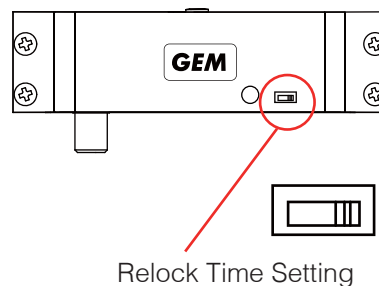
### Dimensions

Unit:mm

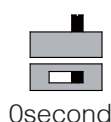


### Adjustable Relock Time Delay

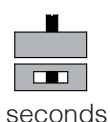
Relock time delay can be adjusted easily without the need for any tools.



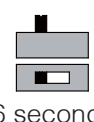
Relock Time Setting



0second



3 seconds



6 seconds

## Installation Applications

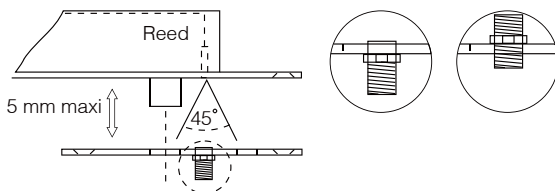
### Surface Mount Bracket Installation



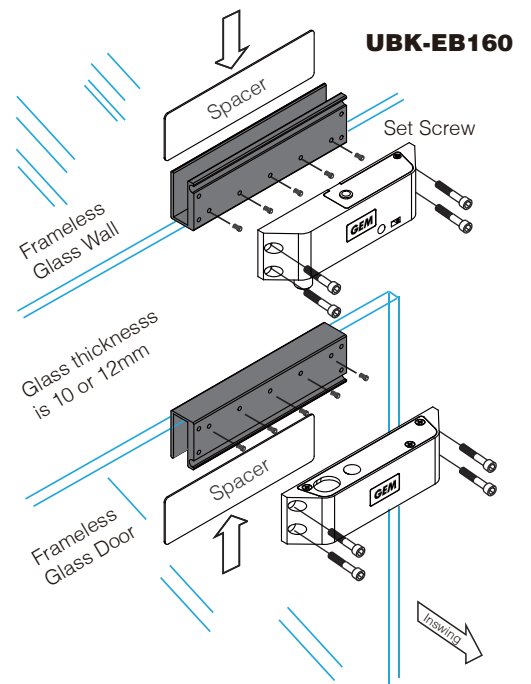
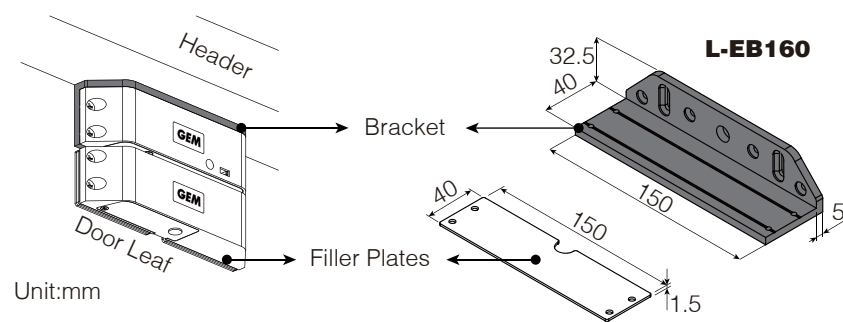
### Glass Mount Installation



### Adjustable Sensor Magnet



### Optional Brackets



### Models & Optional Brackets

Models	Description	Contents
EB160	Standard Surface Mount Electric Dropbolt	EB160
EB160VGL	Glass Mount Electric Dropbolt	EB160, UBK-EB160
L-EB160	L-Bracket for Narrow Header	L-EB160
UBK-EB160	U-Bracket for Frameless Glass Doors	UBK-EB160

### Warranty

The product is warranted against defects in material and workmanship while used in normal service for a period of 1 year from the date of sale to the original customer. The GEM policy is one of continual development and improvement; therefore GEM reserves the right to change specifications without notice.