

# Electric Strikes

## GK1276/96 Rim Strike Series

Surface Mount Strikes for Pullman Latch Exit Devices



GK1296

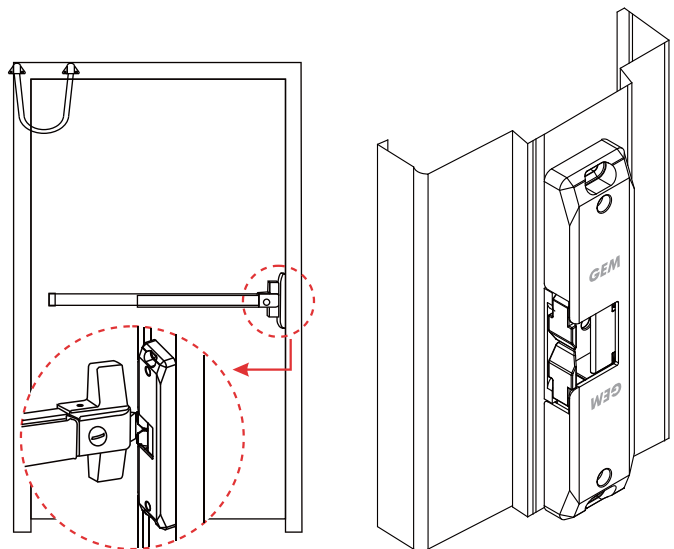
GK1276



The GK1276/1296 ANSI electric rim strike series is surface mounted and designed with strength and durability for use with rim exit devices with a Pullman latch bolt. It features an optional latch monitor and has a stainless steel housing. No cutting on the frame is required for installation.

### Standard Features

- Field selectable 12 or 24VDC
- Field reversible fail-secure or fail-safe
- No frame cutting required - surface mounted
- Non-handed fully reversible
- Horizontal adjustment
- Static strength 1,500 lbs (680Kg)
- Dynamic strength 70 ft-lbs
- Endurance rating 250,000 cycles UL tested, 1,000,000 cycles factory tested
- Brushed stainless steel finish (US32D)
- Latch monitor (For model with suffix M)





### Patents, Approvals, and Listings

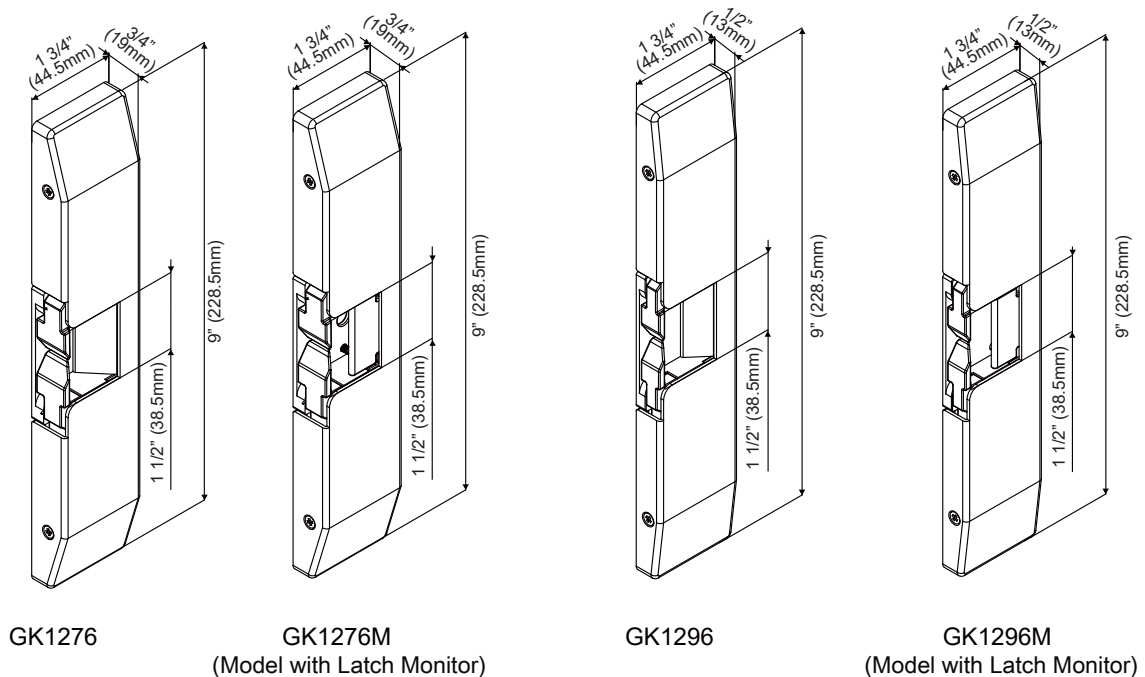
- UL 1034 burglary resistant listed: BP10269
- UL 294 Access Control System listed : BP10269
- Patent: Australia - 2019100081 (GK1276)
- UL 10B/10C fire-rated (up to 1.5 hours: fail-secure only): R39009 (For GK1276)
- CAN/ULC-S104 fire door conformant: R39009 (For GK1276)



## GK1276/90 Series ANSI Electric Rim Strikes

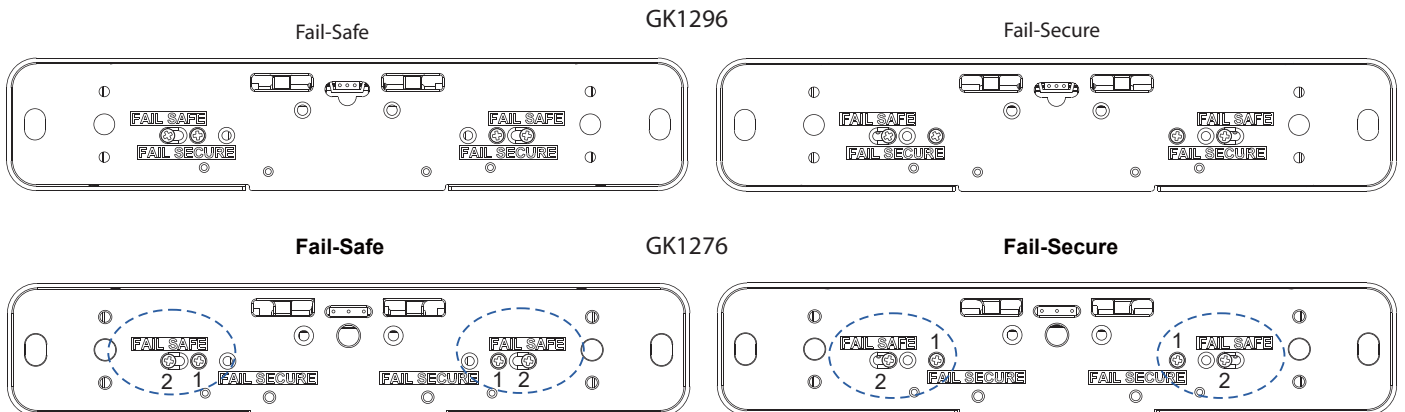
Models	Voltage (VDC)	Current Draw	Latch Monitor	Housing Thickness	Field Reversible Fail-Safe Or Fail-Secure	Accessories
GK1276 <small>SECURITY</small> 	12/24	540mA/12VDC 270mA/24VDC	—	3/4" (19mm)	●	1/16" (1 mm) spacers
GK1276M			●			
GK1296 <small>SECURITY</small> 	12/24	540mA/12VDC 270mA/24VDC	—	1/2" (13mm)	●	1/8" (3 mm) spacers
GK1296M			●			

## Dimensions



## Changing Fail-Safe / Fail-Secure

Fail-safe or fail-secure is field reversible by changing the position of screws. (Check screw #1 and #2 positions below)



### Warranty

The product is warranted against defects in material and workmanship while used in normal service for a period of 3 years from the date of sale to the original client. The GEM policy is one of continual development and improvement; therefore GEM reserves the right to change specifications without notice.