

# Electric Strikes

## GK450/480 Series

Durable, Versatile Strikes for Residential and Business



The GK450/480 series ANSI electric strike is designed for use with cylindrical locksets and mortises locksets without a deadbolt and can be installed in metal and wood door frames. It includes an optional latch monitor and is field reversible for fail-safe or fail-secure operation.

### Standard Features

- Non-handed fully reversible
- Field reversible fail-safe or fail-secure
- Static strength 1,500 lbs (680Kg)
- Dynamic strength 70 ft-lbs
- Endurance 100,000 cycles UL tested, 1,000,000 cycles factory tested
- Brushed stainless steel (US32D) finish

### Optional Feature

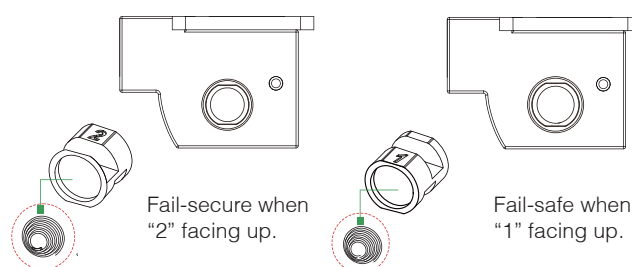
- Latch monitor

### Patents, Approvals, and Listings

- UL 1034 burglary resistant listed : BP10269
- UL 294 Access Control System listed: BP10269
- US Patent: 8,833,814 B2

### Changing Fail-Safe / Fail-Secure

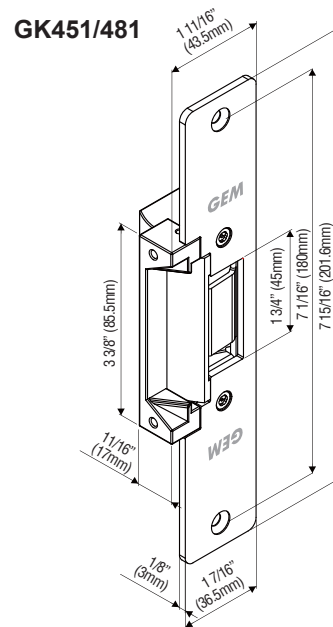
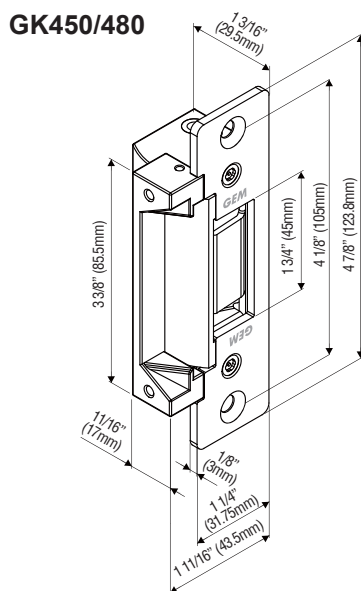
Fail-safe or fail-secure is field reversible by reversing the round screw.



## GK450/480 Series ANSI Electric Strikes

| Models                          | Voltage (VDC) | Current Draw             | Latch Throw     | Optional Latch Monitor | Reversible Fail-Safe Or Fail-Secure | Frame        | Body Construction             |
|---------------------------------|---------------|--------------------------|-----------------|------------------------|-------------------------------------|--------------|-------------------------------|
| <b>GK450</b><br><b>GK450-ST</b> | Dual 12/24    | 300mA/12VDC, 150mA/24VDC | 9/16"<br>(15mm) | ●                      | ●                                   | Hollow Metal | Zinc alloy<br>Stainless steel |
| <b>GK451</b><br><b>GK451-ST</b> | Dual 12/24    | 300mA/12VDC, 150mA/24VDC | 9/16"<br>(15mm) | ●                      | ●                                   | Wood         | Zinc alloy<br>Stainless steel |
| <b>GK480</b><br><b>GK480-ST</b> | Dual 12/24    | 300mA/12VDC, 150mA/24VDC | 3/4"<br>(19mm)  | ●                      | ●                                   | Hollow Metal | Zinc alloy<br>Stainless steel |
| <b>GK481</b><br><b>GK481-ST</b> | Dual 12/24    | 300mA/12VDC, 150mA/24VDC | 3/4"<br>(19mm)  | ●                      | ●                                   | Wood         | Zinc alloy<br>Stainless steel |

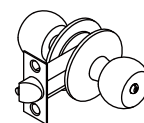
## Dimensions



## Lockset Application

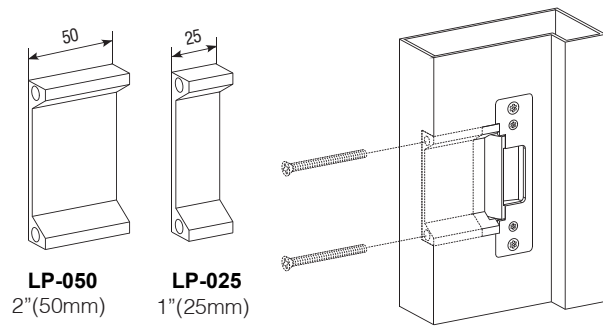
(Note: Lockset is Not sold with electric strike model.)

| Electric Strike Models        | Locksets  |
|-------------------------------|---|
| GK450, GK480,<br>GK451, GK481 | <b>Cylindrical</b><br>Lockset with center lined latchbolt |



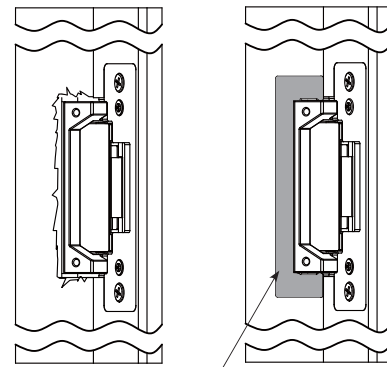
\*Above models include model number with or without the "M" and/or "ST" suffix.

### Lip Extensions (Option)



Lip extensions are available to meet the needs of a particular jamb width.

### Trim Plate



Trim plate is used to cover any imperfections caused while prepping the frame cut out.

#### Warranty

The product is warranted against defects in material and workmanship while used in normal service for a period of 3 years from the date of sale to the original client. The GEM policy is one of continual development and improvement; therefore GEM reserves the right to change specifications without notice.