

Cabinet Locks

Convenient and Secure Locking Solution



CK100

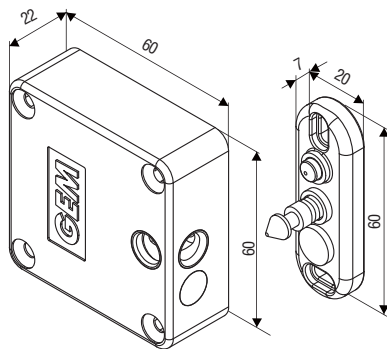


GL-80F

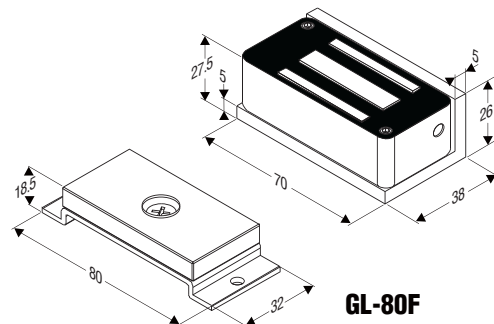


GEM Cabinet Locks are compact and consume little energy. The CK100 Cabinet Lock is motor operated and includes lock and door status monitoring outputs. The GL-80F Mini Electromagnetic Lock has a stainless steel housing and provides 80 lbs. of holding force for small access control applications.

| | CK100 Cabinet Lock | GL-80F Mini Electromagnetic Lock |
|---------------------------------|--|---|
| Voltage | 12-28 VAC/DC | 12 or 24 VDC |
| Mode | Fail-secure | Fail-safe |
| Operation | Motor | Electromagnetic mechanism |
| Spring Door Open Release | • | — |
| Monitoring Output | Lock status output, 1/125VAC (NC/COM) Door status output, 0.5A/100VDC (NO/COM) | Bond sensor output (option), NC/COM |
| Relock Time Delay | • | — |
| Force | Anti-pulling force 220 lbs (100Kg) | Holding force 80 lbs (36kg) |
| Housing | Polyamide | Stainless steel |
| Applications | <ul style="list-style-type: none"> • Can be fitted to drawers, filing cabinets, drug cabinets, gym lockers • Various mounting positions • Compatible with existing keypads or readers • Can be integrated with access control system | |



CK100



GL-80F

All dimensions in mm

Warranty

The product is warranted against defects in material and workmanship while used in normal service for a period of 3 years from the date of sale to the original customer. The GEM policy is one of continual development and improvement; therefore GEM reserves the right to change specifications without notice.