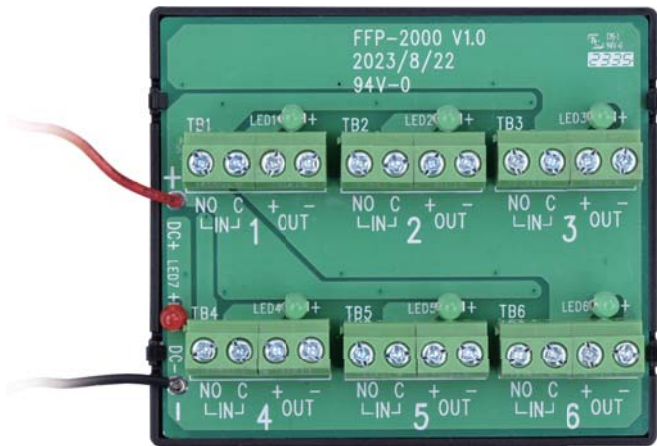


# Door Control Modules

## GPD-6P

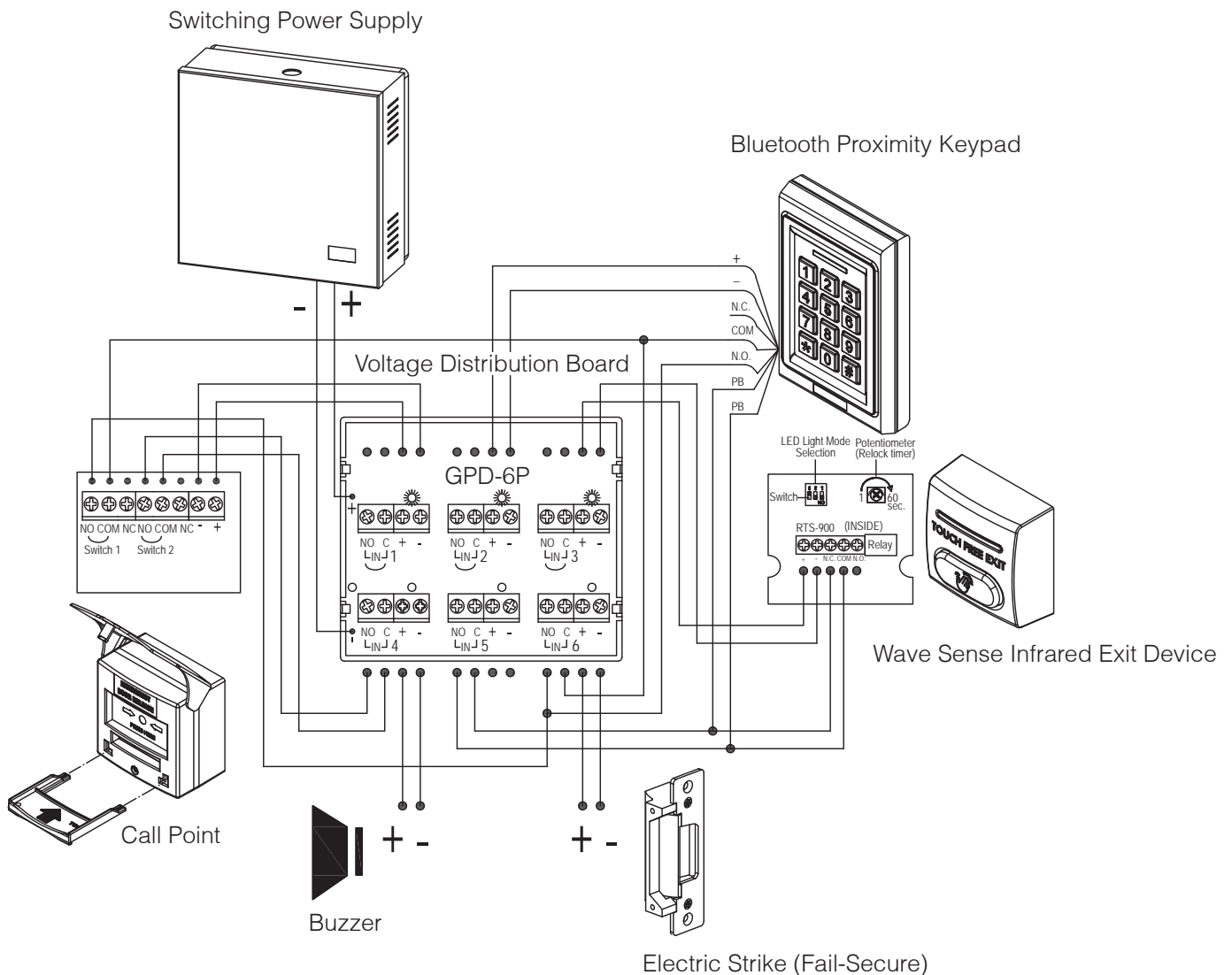


### Standard Features & Specifications

- Voltage Input 12~24VDC
- Input Voltage = Output Voltage
- Each output with PPTC (0.5A)
- 6 sets of output contacts (for electric locks) and each with COM/NO contacts for REX.

### Sample wiring and applications

Voltage Distribution Board Wiring Diagrams



# Sample wiring and applications

## Voltage Distribution Board Wiring Diagrams

