



**GS250/GS250MDT**



**GS250S/GS250MDT-S**  
GS250MDT + SMB-300 bracket



**GS250VGL/GS250MDT-VGL**  
(For Glass Doors and Walls)  
GS250MDT + SMB-300 bracket + UBK-182 bracket

# Shear Locks GS250 SERIES

## Bond Sensor with Time Delay

### Standard Features

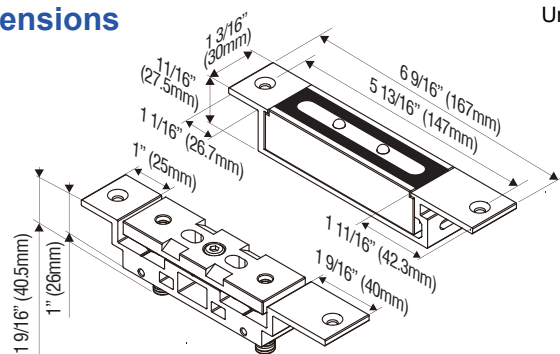
- Suitable for narrow frames, double swing doors and glass doors
- Fail-safe
- Dual voltage 12/24 VDC (Self-regulating for MDT models)
- Horizontal or vertical installation
- Surface /Mortise /Semi-Mortise mounted
- Adjustable armature screws for wide door gaps

### MDT Models Features

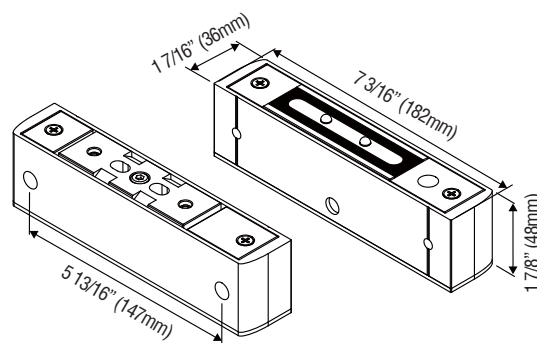
- 2 seconds time delay
- Bond sensor indicates door is locked or unlocked

### Dimensions

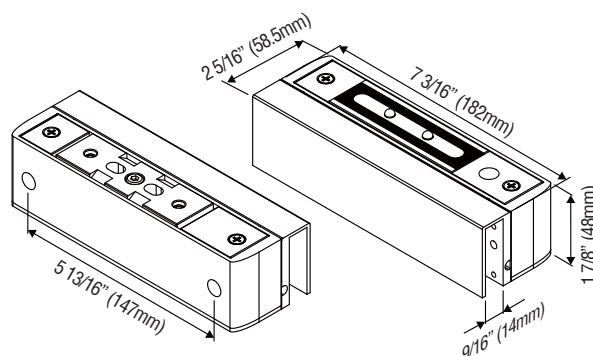
Unit:mm



**GS250/GS250MDT**



**GS250S/GS250MDT-S**

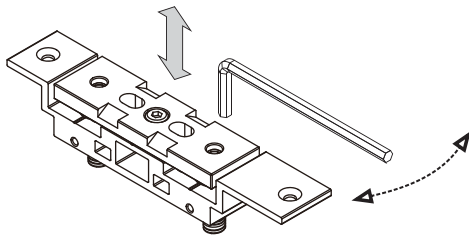


**GS250VGL/GS250MDT-VGL**

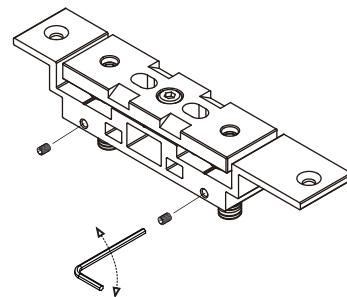
## Technical Specification

Models	GS250	GS250MDT	GS250S	GS250MDT-S	GS250VGL	GS250MDT-VGL
Time Delay (2 seconds)	-	●	-	●	-	●
Bond Sensor	-	●	-	●	-	●
Mode	Fail-Safe					
Holding Force	1200 lbs					
Operating Voltage	12/24VDC	12-24VDC (self-regulating)	12/24VDC	12-24VDC (self-regulating)	12/24VDC	12-24VDC (self-regulating)
Current Draw	500mA/12VDC ; 250mA/24VDC					
Operating Temperature	32° to +120.2°F ( 0° to +49°C )					
Surface Temperature	≤Current temperature +20°C					
Humidity	0 to 85% Non condensing					
Door Gap	1/16" (2mm)					
Finish	Magnet and Armature: Zinc plated					
Mounting	Standard		Surface Mount		Glass Door Mount	
Mounting Brackets	-		SMB-300		SMB-300 UBK-182	

## Armature Plate Adjustments

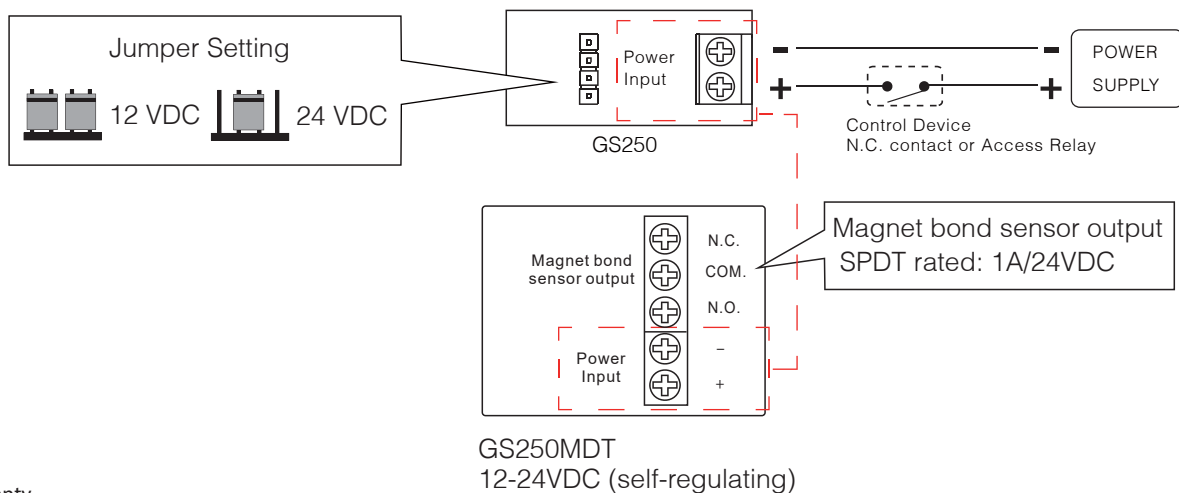


Armature plate can be adjusted to shorten or lengthen the door gap.



Armature plate set screws allow the adjustment to be tightly secured.

## Wiring Diagram



### Warranty

The product is warranted against defects in material and workmanship while used in normal service for a period of 1 year from the date of sale to the original client. The GEM policy is one of continual development and improvement; therefore GEM reserves the right to changespecifications without notice.