



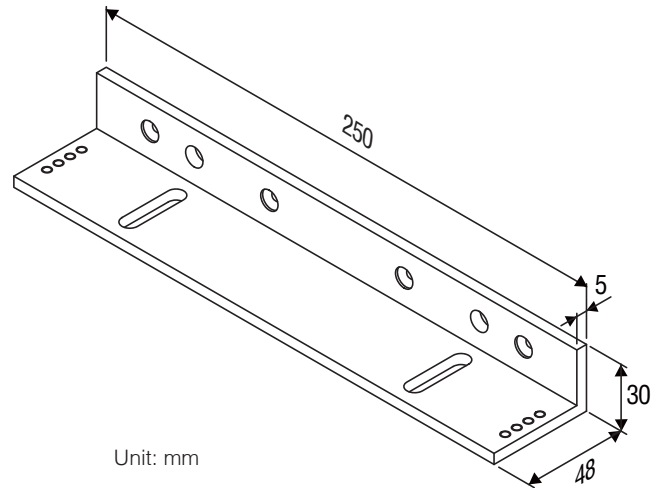
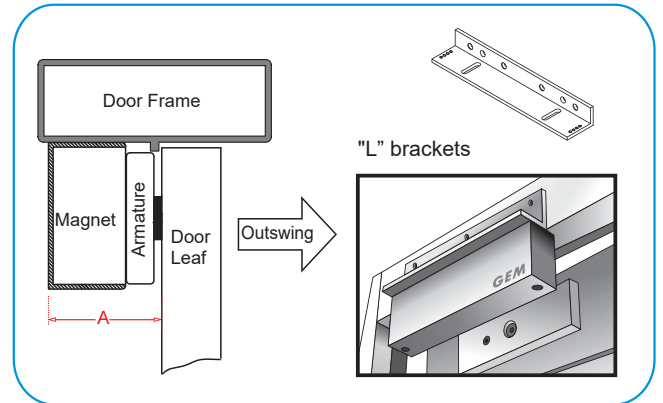
The A value in the table below shows the minimum requirement distance of the door frame for different electromagnetic lock model.

Magnet Grade	A Value	Option Brackets
300 LBS	38 mm	L-150, L-EM150...
● 600 LBS	42 mm	L-300, L-10001ST...
800 LBS	48 mm	L-750, L-350, L-400...
1200 LBS	60 mm	L-500, L-600...

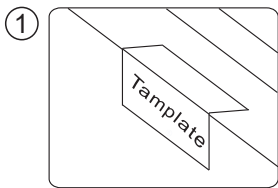
Application for the Electromagnet:
10001, 10002, 10004, 10005 Series

Bracket L-300

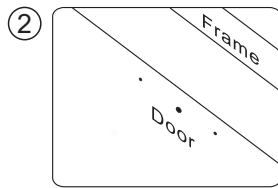
Outswing narrow frame door



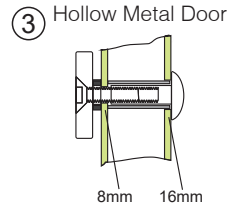
Installation of L bracket on Outswing Doors



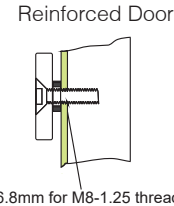
1 Fold the mounting template 90° angle along the dotted line.



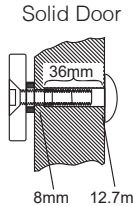
2 Drill the holes marked on the template.



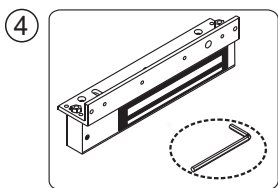
3 Hollow Metal Door
Drill a hole 8 mm in diameter through the door. Enlarge the hole to 16 mm from outside.



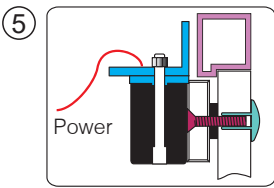
3 Reinforced Door
Drill a hole 6.8 mm in diameter from inside. Screw with a M8-1.25 thread.



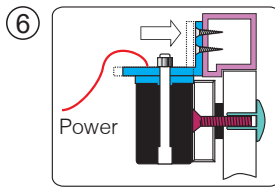
3 Solid Door
Drill a hole 8 mm in diameter through the door. Enlarge the hole to 12.7 mm from outside. The thickness of the door is 36 mm.



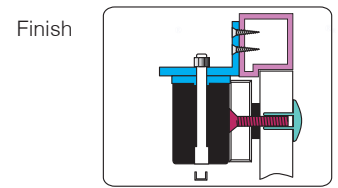
4 Assemble the electromagnet and L bracket with an Allen wrench.



5 Turn on the power of electromagnet. Let the electromagnet and the armature plate bond together. Press L bracket against the door frame.



6 Fasten L bracket on the door frame.



6 Finish
Test the unit. Tap the plugs into the electromagnet