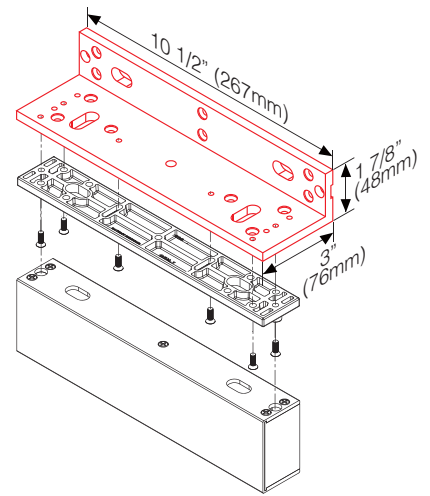
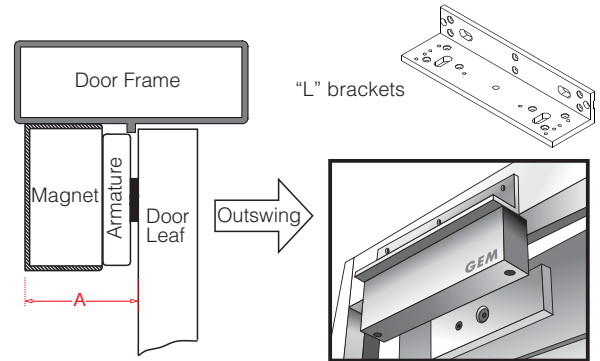


Outswing narrow frame doors

L-GEM-1200 Bracket

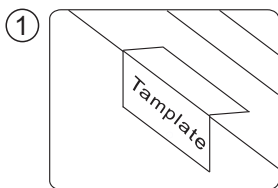
The A value in the table below shows the minimum requirement distance of the door frame for different electromagnetic lock model.

| Magnet Grade | A Value | Optional Brackets |
|--------------|---------|-------------------|
| 300 LBS | 38 mm | L-GEM-300 |
| 600 LBS | 42 mm | L-GEM-600 |
| 800 LBS | 48 mm | L-GEM-800 |
| ● 1200 LBS | 60 mm | L-GEM-1200 |

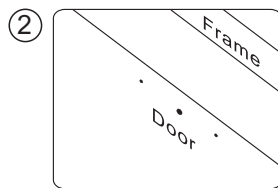


Application for the Electromagnet: GEM-1200 Series

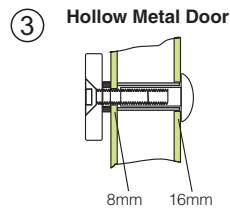
Installation of L bracket on Outswing Doors



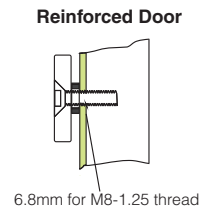
1 Fold the mounting template 90° angle along the dotted line.



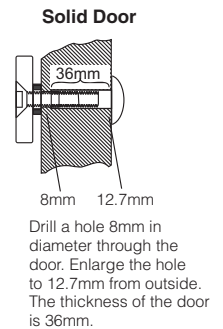
2 Drill the holes marked on the template.



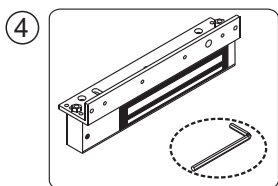
3 **Hollow Metal Door**
Drill a hole 8 mm in diameter through the door. Enlarge the hole to 16 mm from outside.



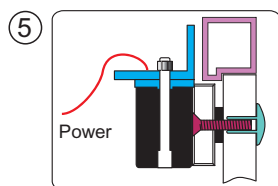
3 **Reinforced Door**
Drill a hole 6.8mm in diameter from inside. Screw with a M8-1.25 thread.



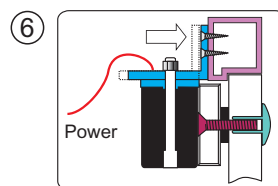
3 **Solid Door**
Drill a hole 8mm in diameter through the door. Enlarge the hole to 12.7mm from outside. The thickness of the door is 36mm.



4 Assemble the electromagnet and L bracket with an Allen wrench.

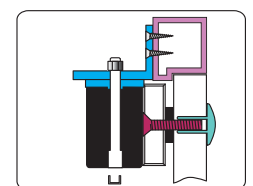


5 Turn on the power of electromagnet. Let the electromagnet and the armature plate bond together. Press L bracket against the door frame.



6 Fasten L bracket on the door frame.

Finish



6 Test the unit. Tap the plugs into the electromagnet