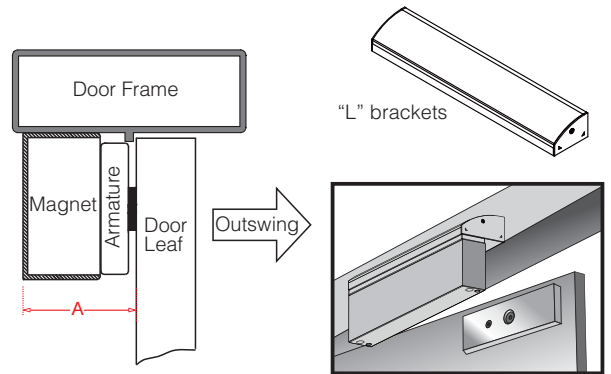


Outswing narrow frame doors

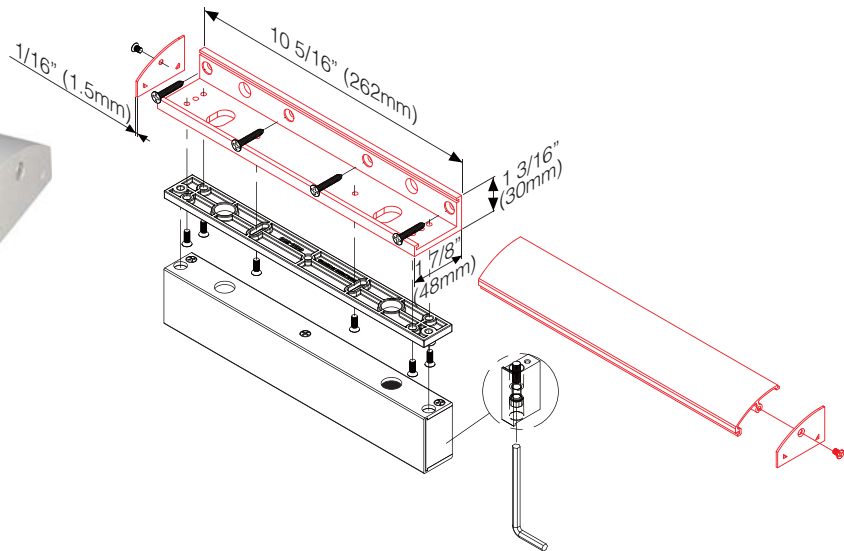
L-GEM-800AU Bracket

The A value in the table below shows the minimum requirement distance of the door frame for different electromagnetic lock model.

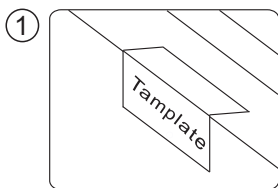
Magnet Grade	A Value	Optional Brackets
600 LBS	42 mm	L-GEM-600AU
● 800 LBS	48 mm	L-GEM-800AU
1200 LBS	60 mm	L-GEM-1200AU



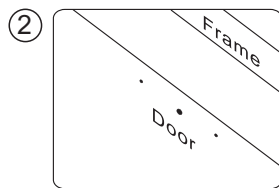
Application for the Electromagnet: GEM-800 Series



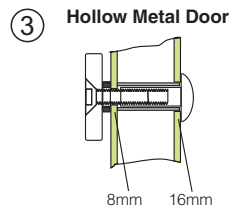
Installation of L bracket on Outswing Doors



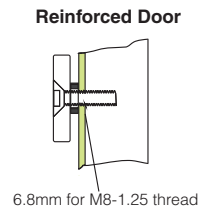
1 Fold the mounting template 90° angle along the dotted line.



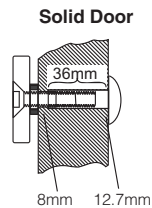
2 Drill the holes marked on the template.



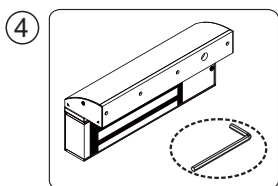
3 **Hollow Metal Door**
Drill a hole 8 mm in diameter through the door. Enlarge the hole to 16 mm from outside.



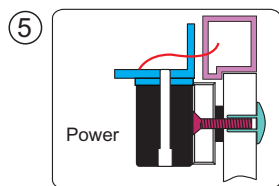
3 **Reinforced Door**
Drill a hole 6.8mm in diameter from inside. Screw with a M8-1.25 thread.



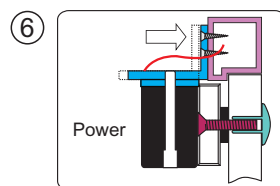
3 **Solid Door**
Drill a hole 8mm in diameter through the door. Enlarge the hole to 12.7mm from outside. The thickness of the door is 36mm.



4 Assemble the electromagnet and L bracket with an Allen wrench.

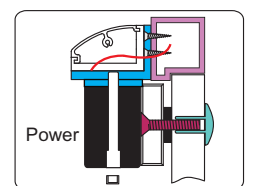


5 Turn on the power of electromagnet. Let the electromagnet and the armature plate bond together. Press L bracket against the door frame.



6 Fasten L bracket on the door frame.

Finish



7 Test the unit. Tap the plugs into the electromagnet