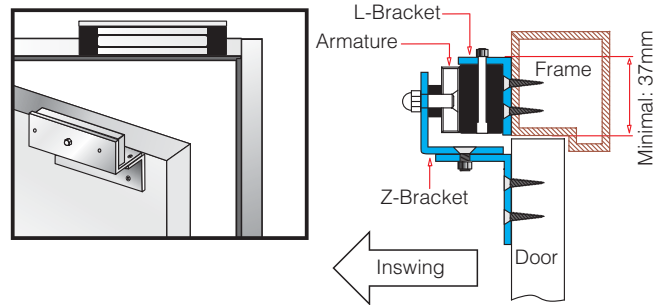
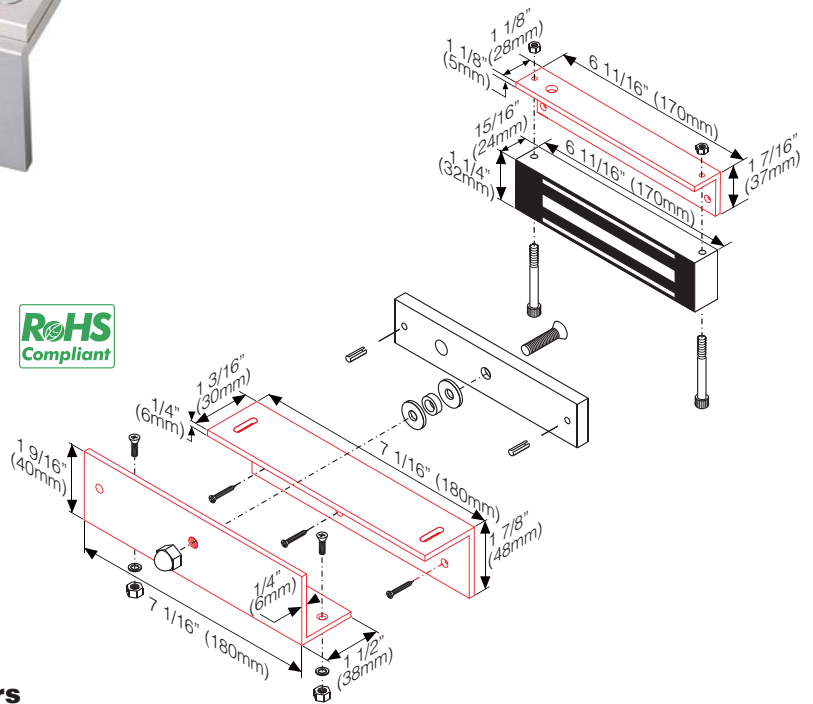


Inswing doors

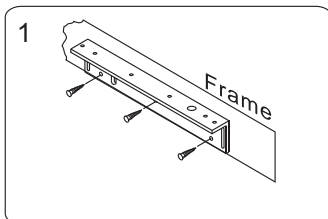
LZ-150 Bracket



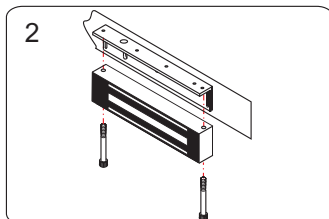
Application for the Electromagnet: 10003S



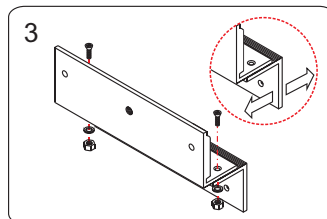
Installation of LZ bracket on Inswing Doors



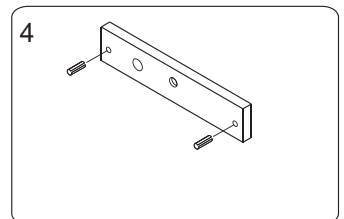
1 Find a mounting location on the door frame for the L bracket. Make sure that the door is still closeable.



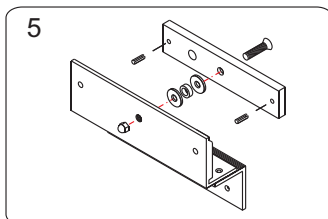
2 Use the fixing bolt to tighten the electromagnet lock on the L bracket



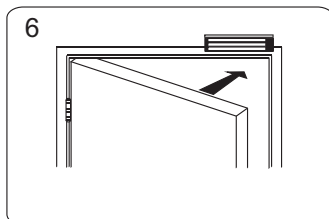
3 Assure that the Z bracket is adjustable. Assemble the Z bracket, and make



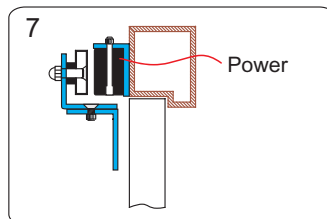
4 Insert the guide pins into the armature plate.



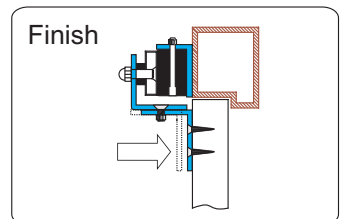
5 Assemble the armature plate and the Z bracket. (Must add rubber washer)



6 Close the door and connect the power.



7 Test the tightness and adjust the Z bracket to fit the door.



Finish Lock tighten the Z bracket