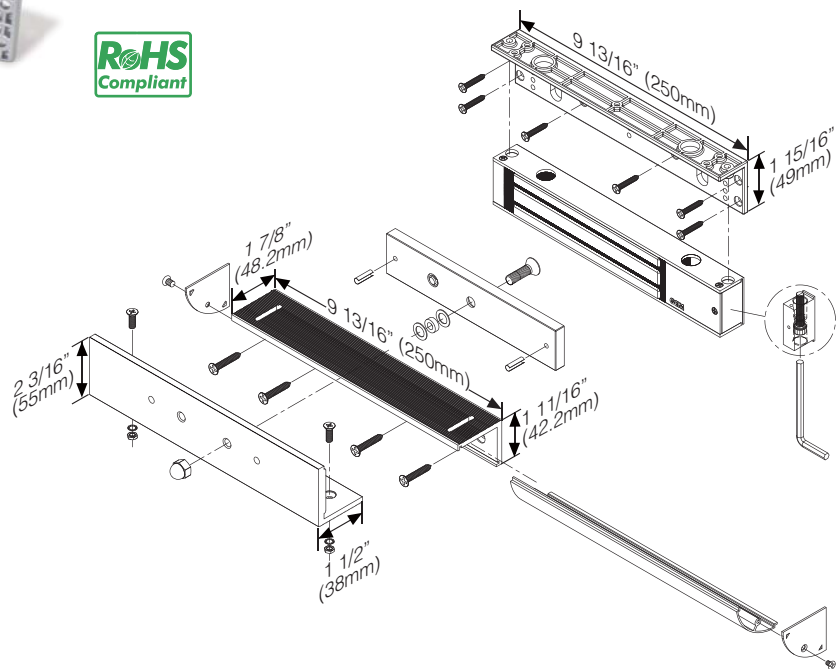
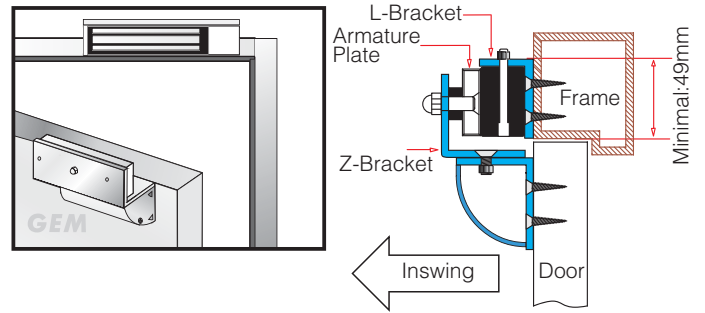


Inswing doors

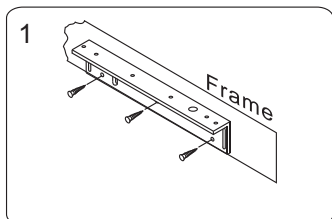
LZ-GEM-600 Bracket

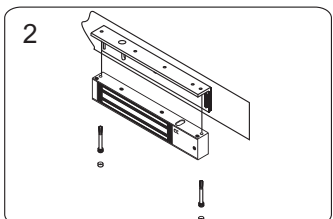


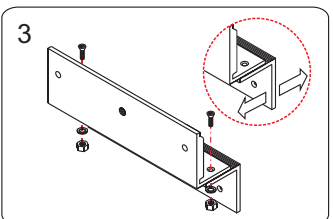
Application for the Electromagnet:
GEM-600

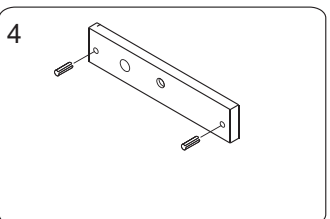


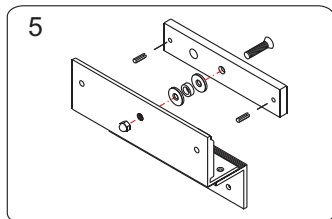
Installation of LZ bracket on Inswing Doors

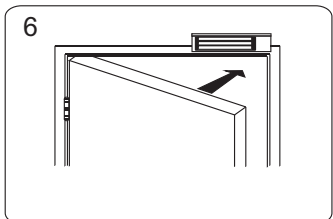
- 

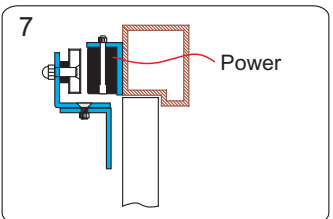
1. Install L bracket on the door frame. Make sure the door may be opened / closed.
- 

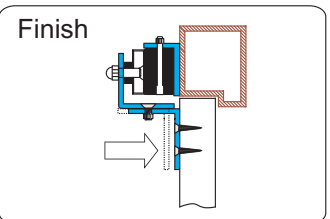
2. Fasten the electromagnet to L bracket with fixing screws.
- 

3. Assemble Z bracket. Make sure it is still loose.
- 

4. Insert the guide pins into the armature plate.
- 

5. Fasten the armature plate to Z bracket. Insert the rubber washer between them.
- 

6. Close the door and turn on the power.
- 

7. Let the armature plate and electromagnet bond together. Press Z bracket to the door leaf.
- 

Finish. Fasten Z bracket to the door leaf.