

Electric Locks

ML-600/650 Series

Electromechanical, Fail-Secure & Preload Capable



ML-600M

ML-650M

The ML-600/650 series electric locks are high performance locks for single/double action swing doors and provide mechanical override for enhanced security in case of power failure.

Preload

The ML-600/650 series has a robust stainless steel construction and is designed with its high preload release capability. It opens electrically with **up to 300 lbs of preload** that allows smooth operation under varying loads on the doors and overcomes door preload problems, such as air-conditioning pressure, warped doors, or heavy weather stripping seals.

Standard Features

- For single/double action swing doors
- For narrow frames (25 mm wide faceplate)
- Brushed stainless steel construction
- Fail-secure operation
- For vertical installation only
- Door/Latch monitor
- Mechanical override (cylinder & key not included)
- 2 Strike plate options for each type of bolt

Specifications

- Operating Voltage: 12~24VAC/DC
- Current Draw: 500mA/12VDC; 250mA/24VDC
- Latch Status Output: 1A/125VAC
- Endurance Rating: 250,000 cycles (Factory tested)
- Preload: 300 lbs of pressure strength
- Backset: 30 mm

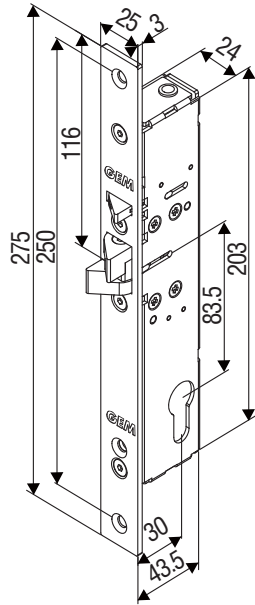
Optional Accessories

- Euro-Profile Cylinder & Key: ECY-72

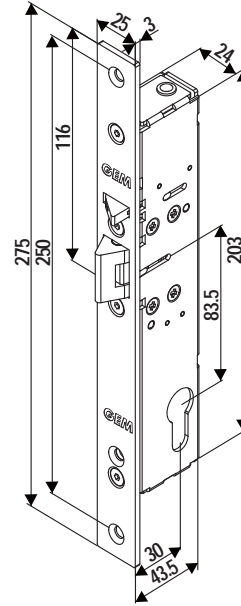
ML-600/650 Series Dimensions

All dimensions in mm

ML-600M

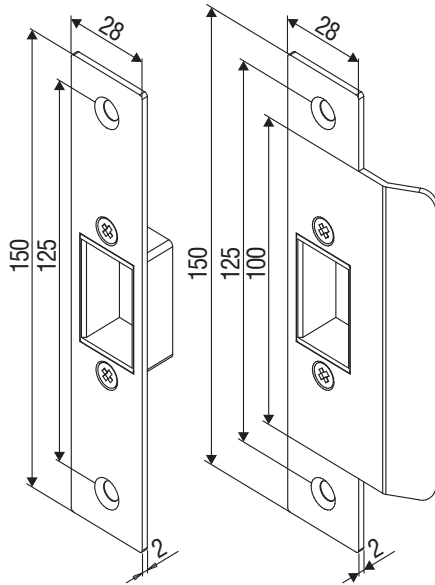


ML-650M

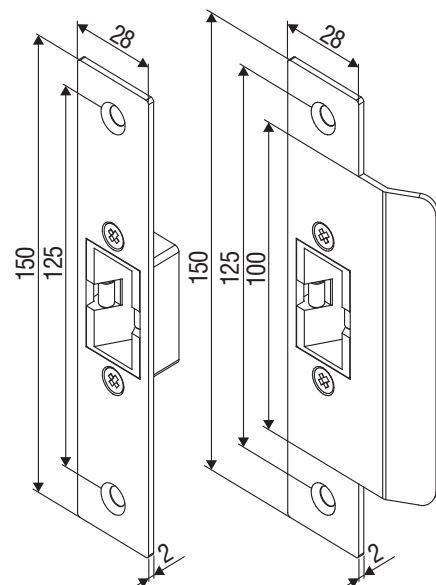


Strike Plate Dimensions

For ML-600M



For ML-650M



Optional Cylinder & Key Accessories



ECY-72D

Euro-profile double cylinder



ECY-72S

Euro-profile thumbturn cylinder

Warranty

The product is warranted against defects in material and workmanship while used in normal service for a period of 1 year from the date of sale to the original client. The GEM policy is one of continual development and improvement; therefore GEM reserves the right to change specifications without notice.