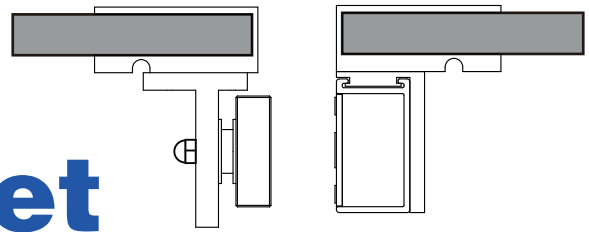
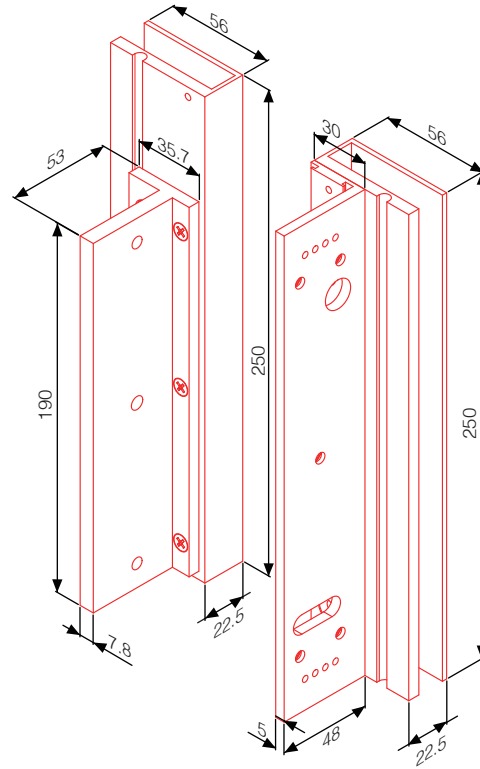


For frameless sliding glass doors

UTB-300 Bracket



For models: EM-NH300 Series (M/DS/TD)



Unit: mm

