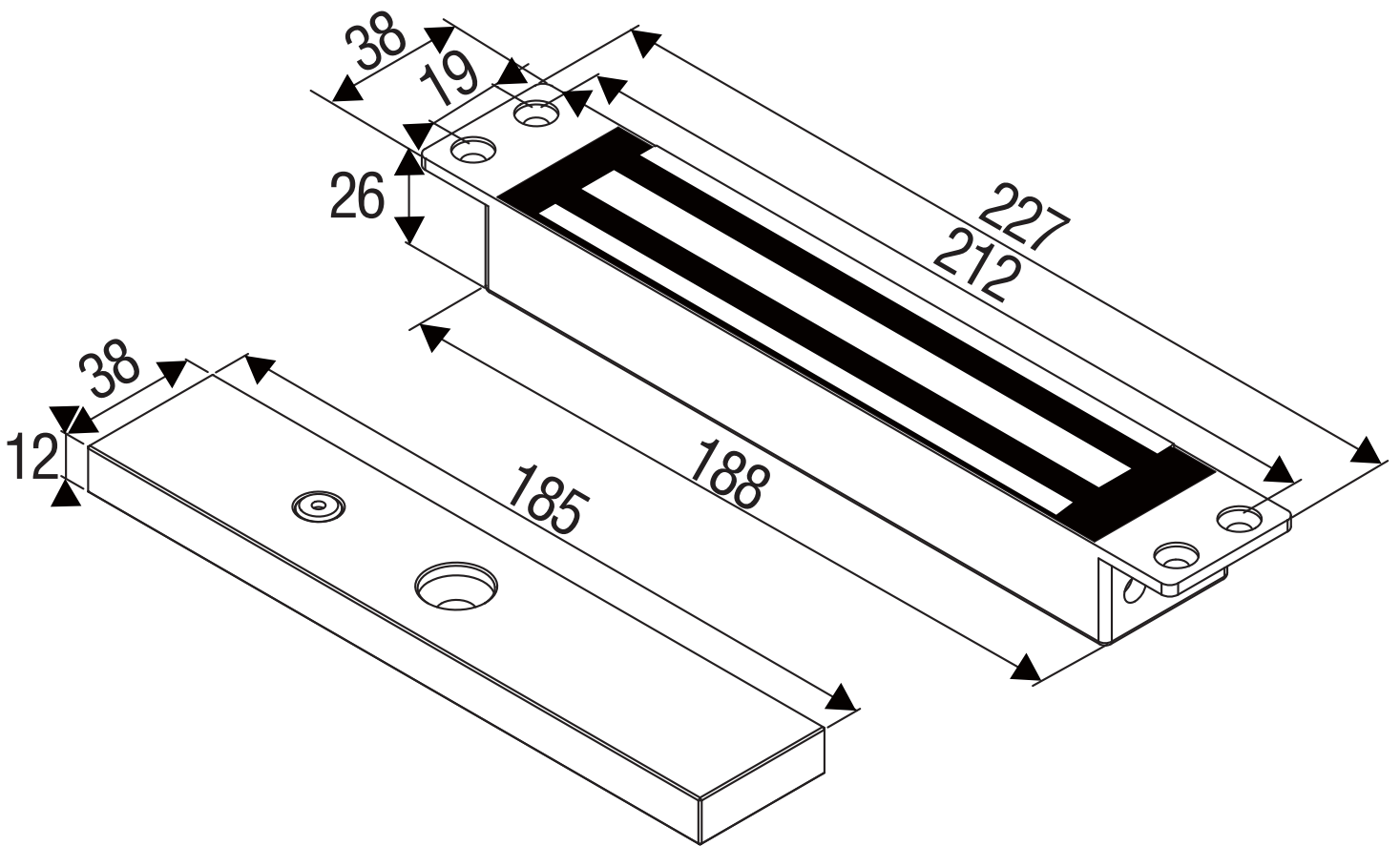


# Dimension

**10000ST**



All dimensions in mm