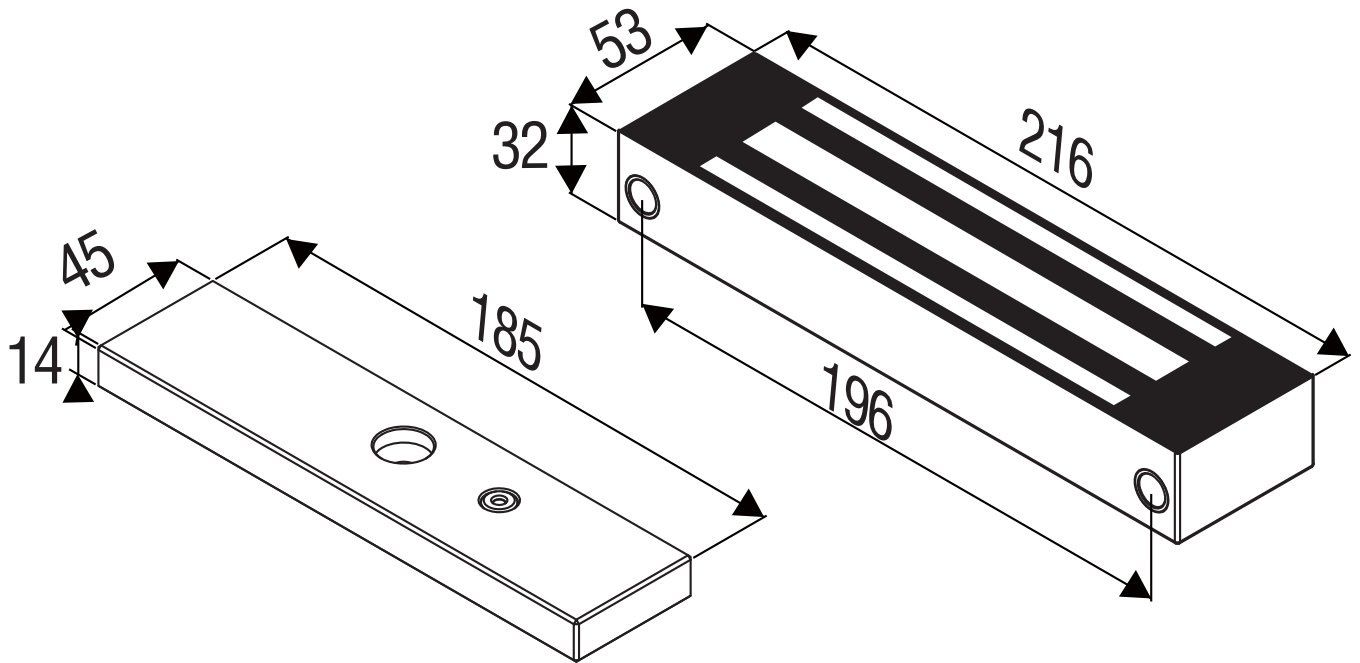


# Dimension

---

**10006S**



All dimensions in mm