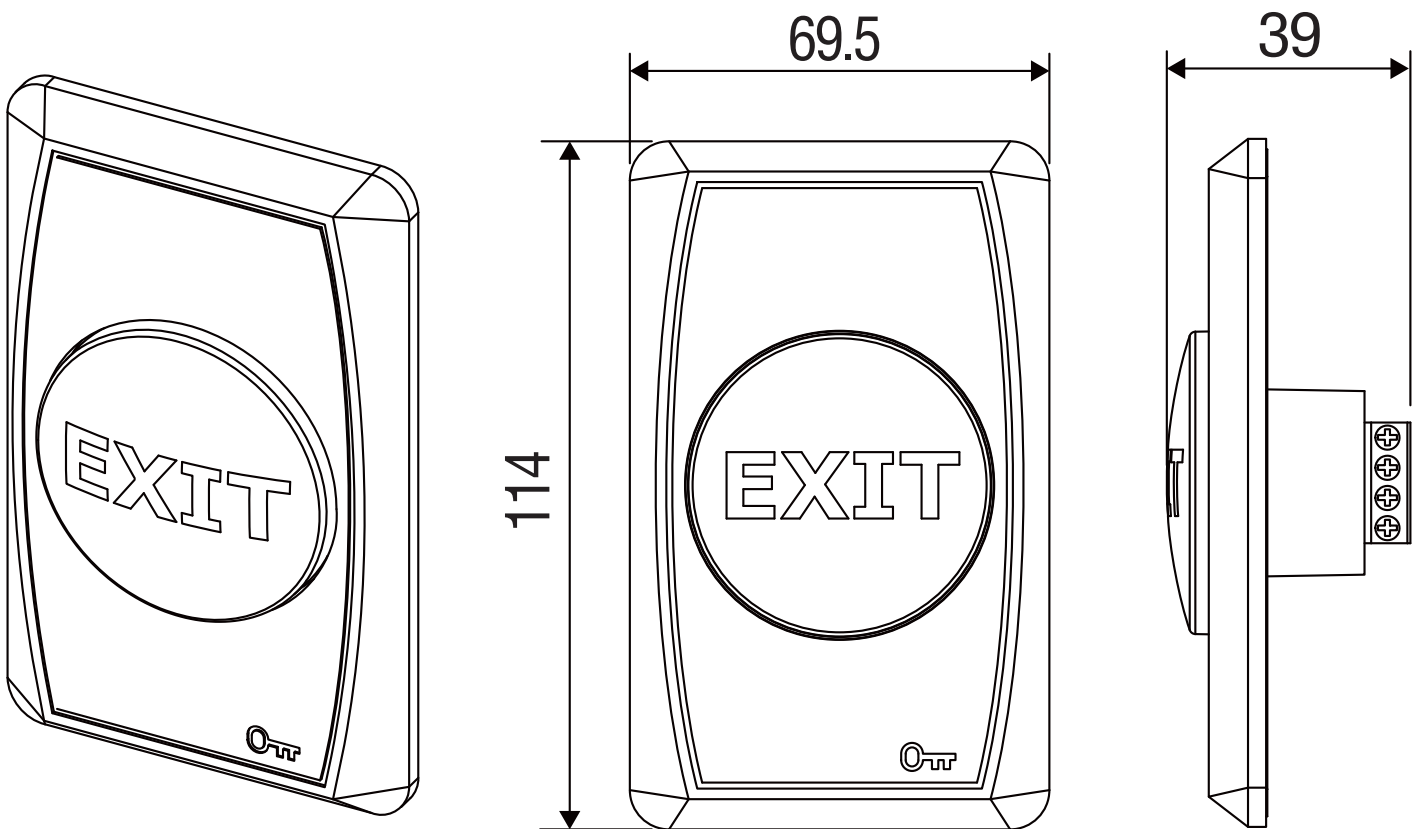


Dimension

AS-500



All dimensions in mm