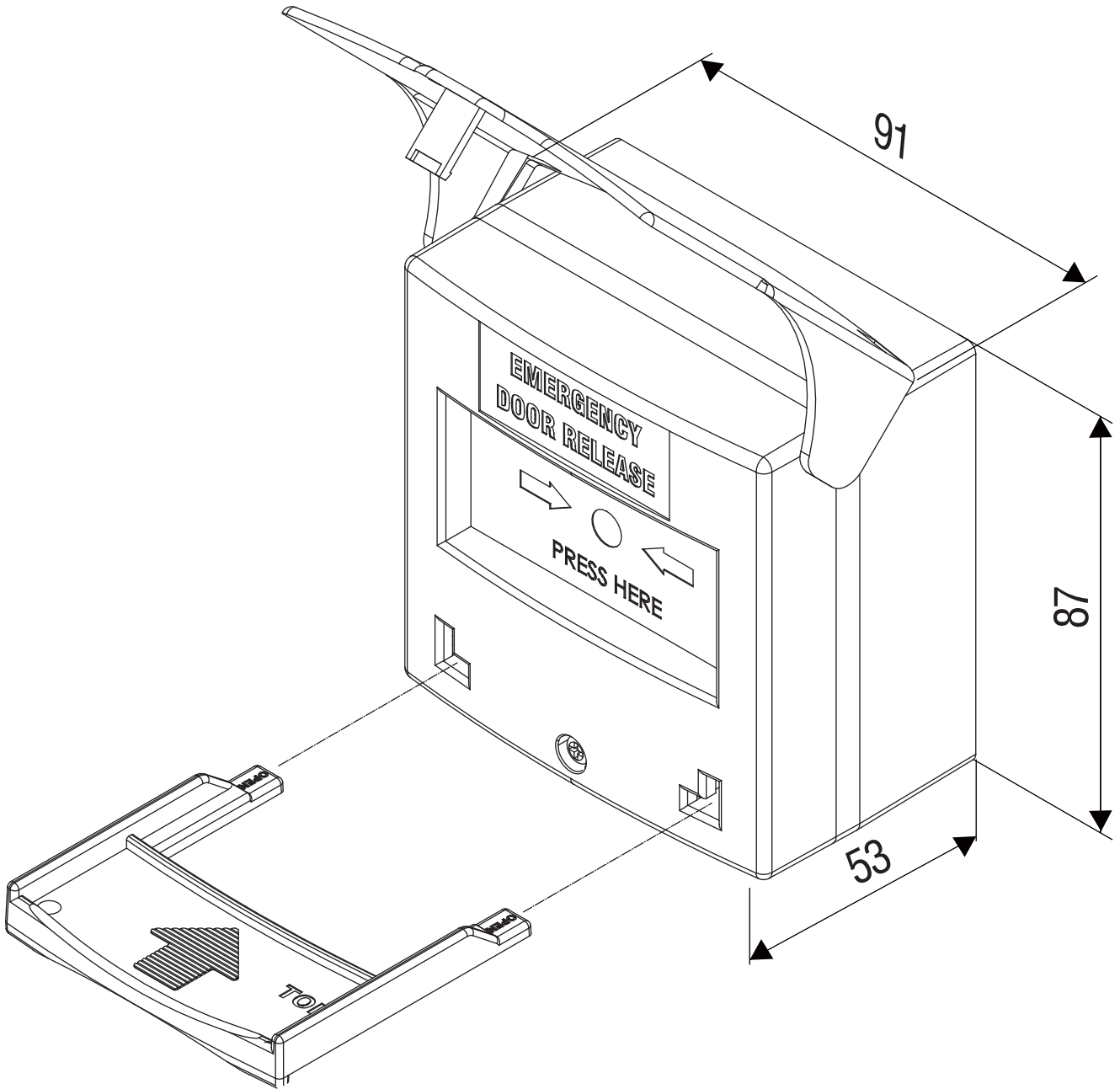


# Dimension

**CP-32G-LB/CP-32GBZ-LB/CP-33GBZ-LB**



All dimensions in mm