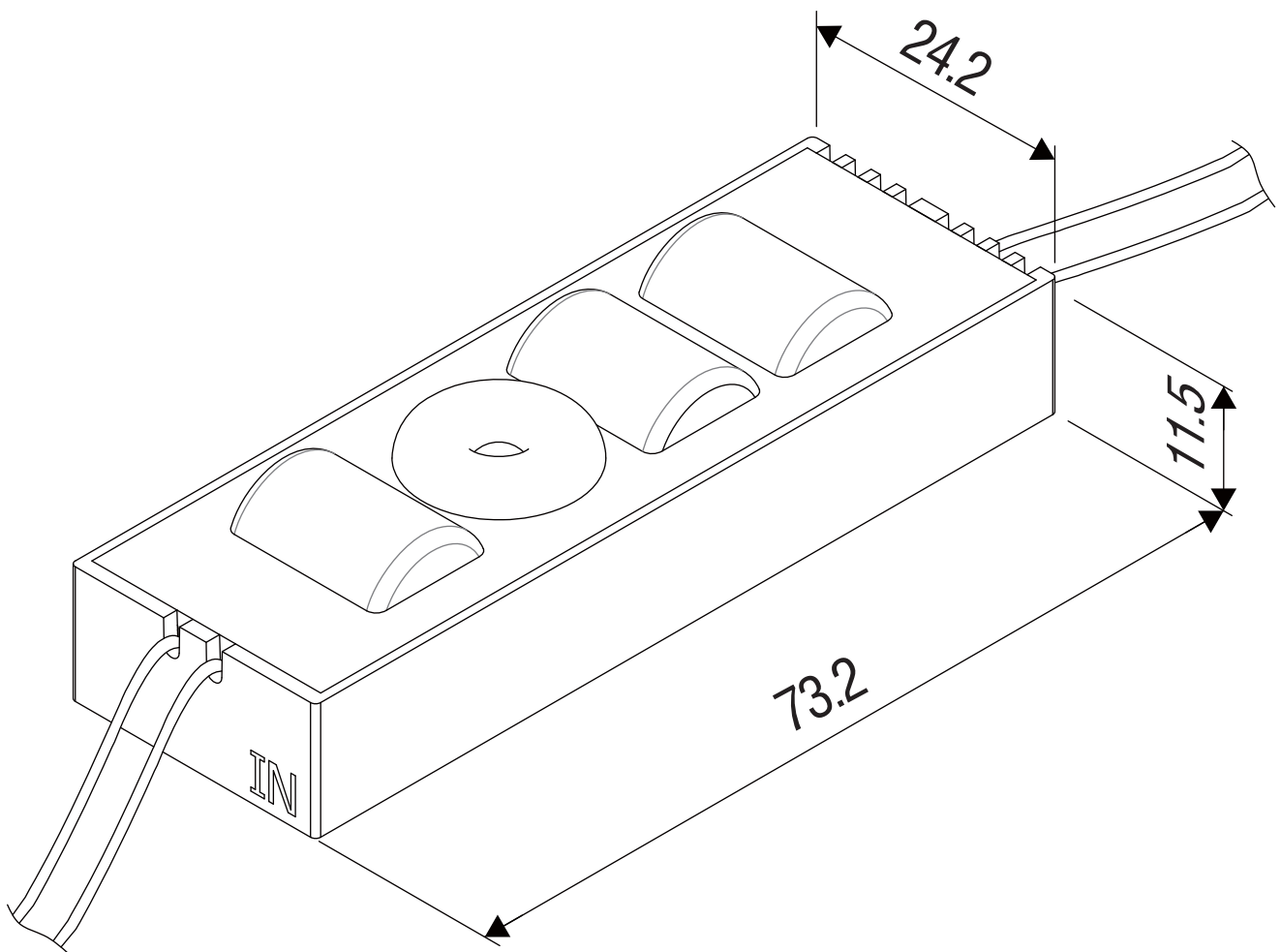


# Dimension

**CPP912**



All dimensions in mm