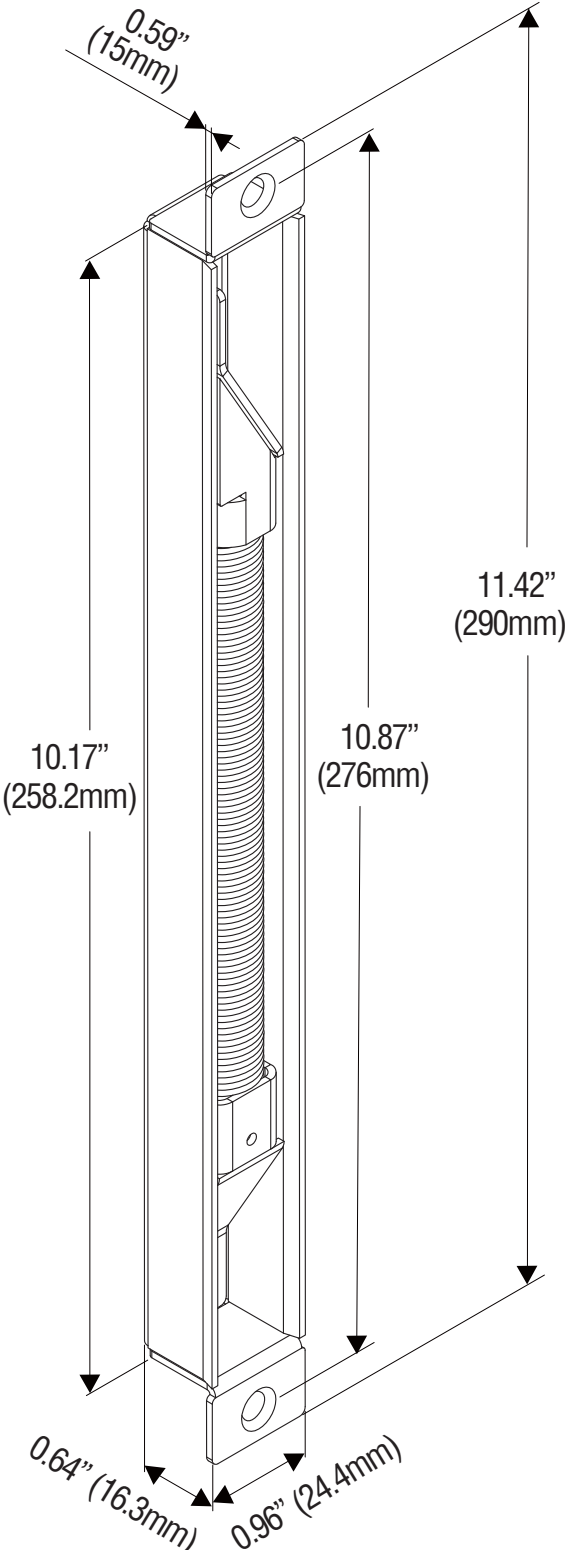


Dimension

DL-400



All dimensions in mm