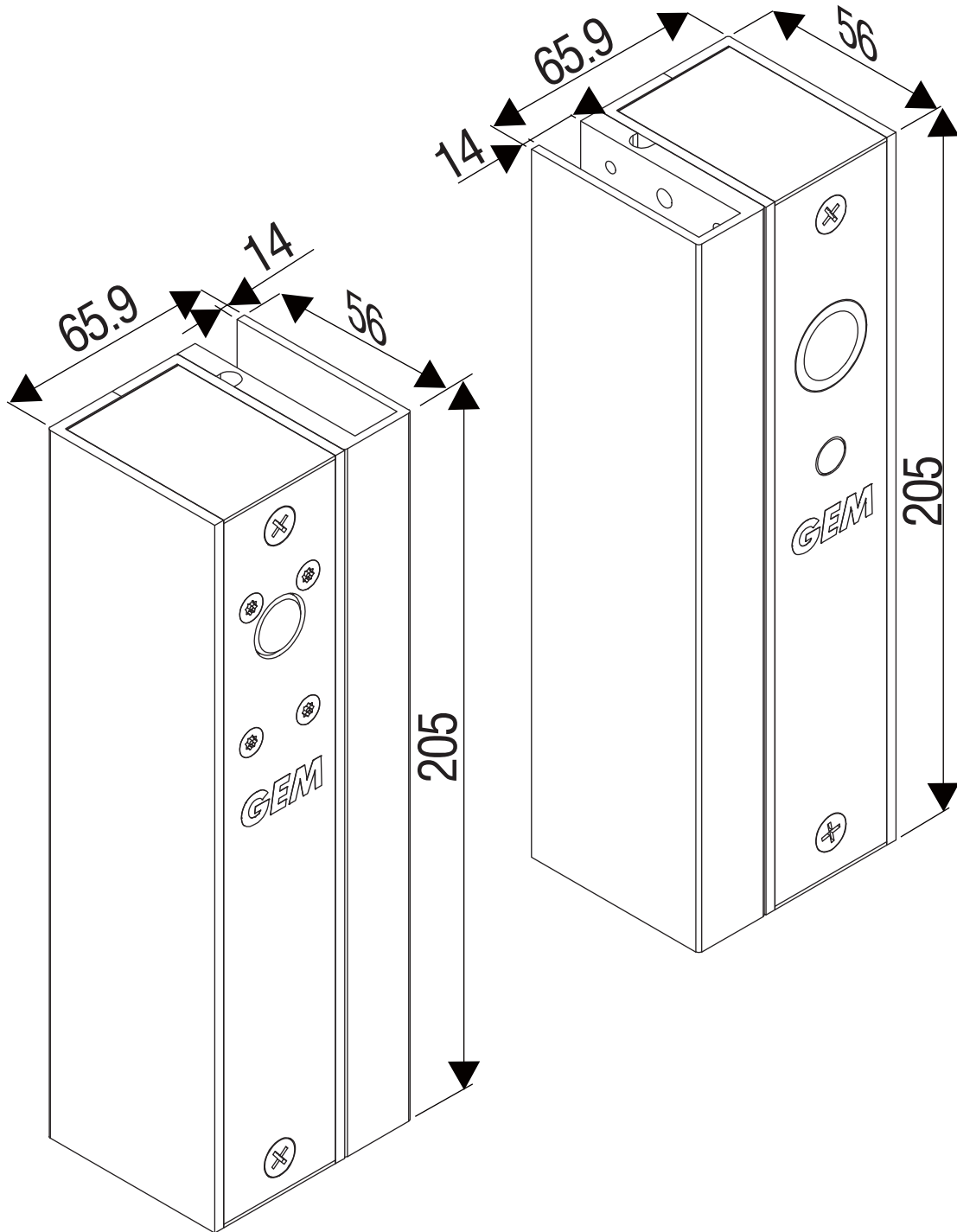


# Dimension

**EB200NVGL**



All dimensions in mm