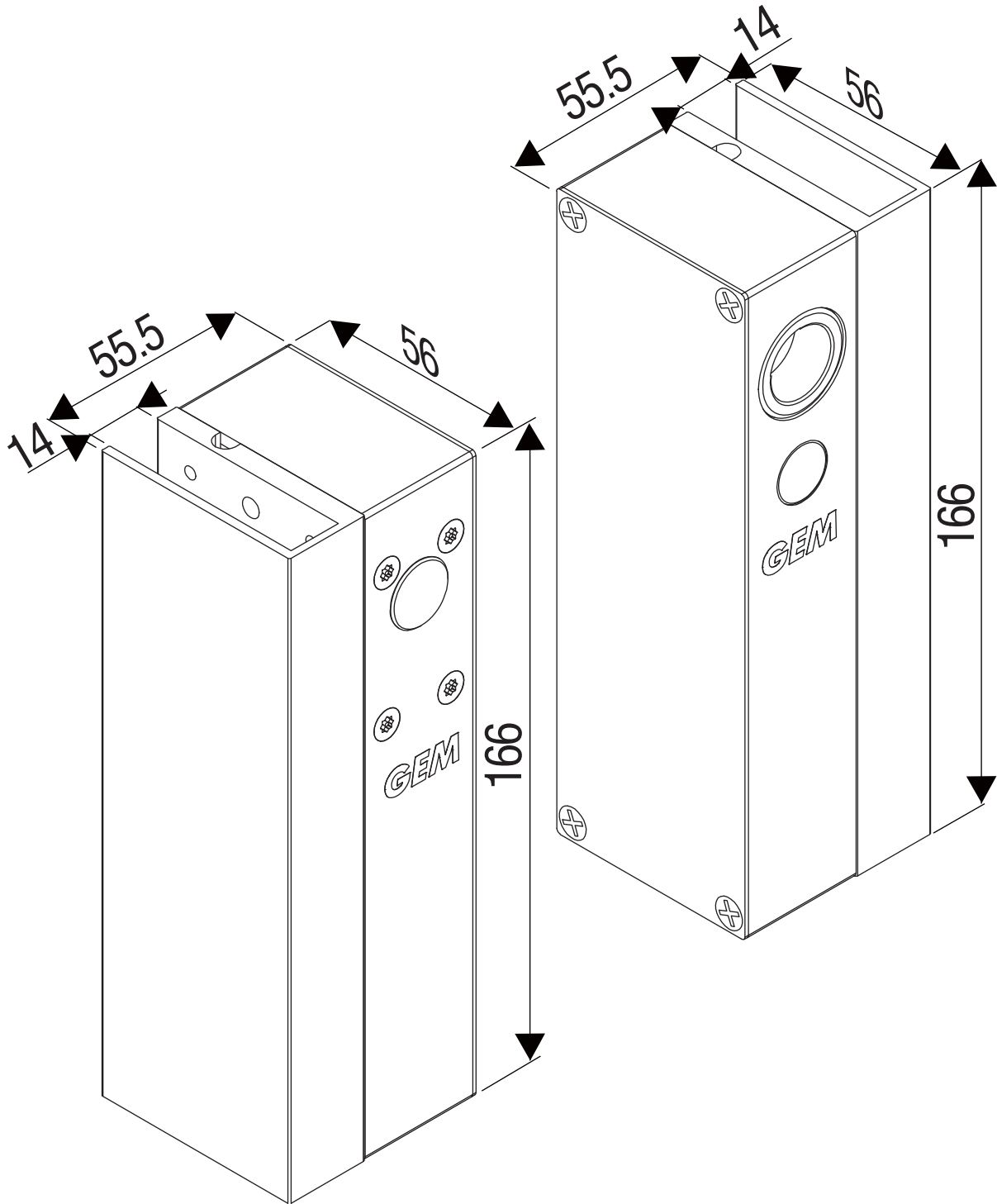


# Dimension

**EB300VGL**



All dimensions in mm