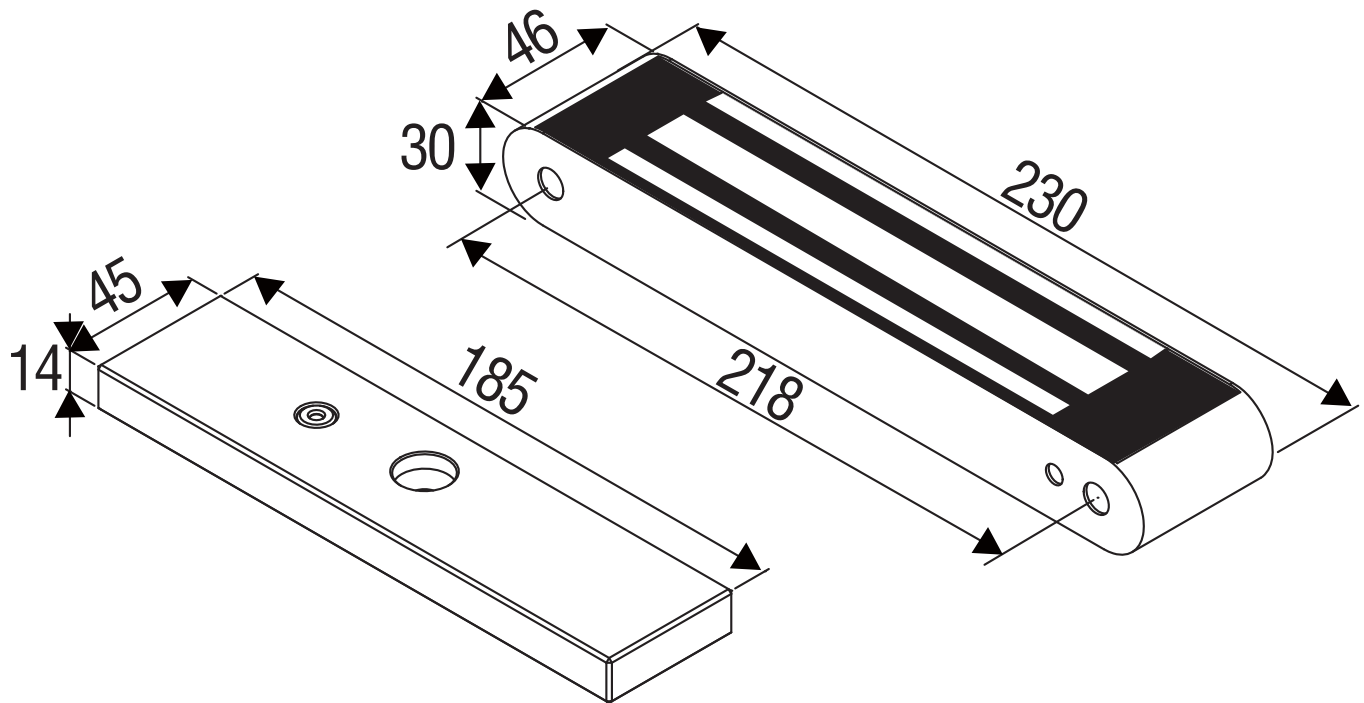


# Dimension

**EM-750/EM-720-2**



All dimensions in mm