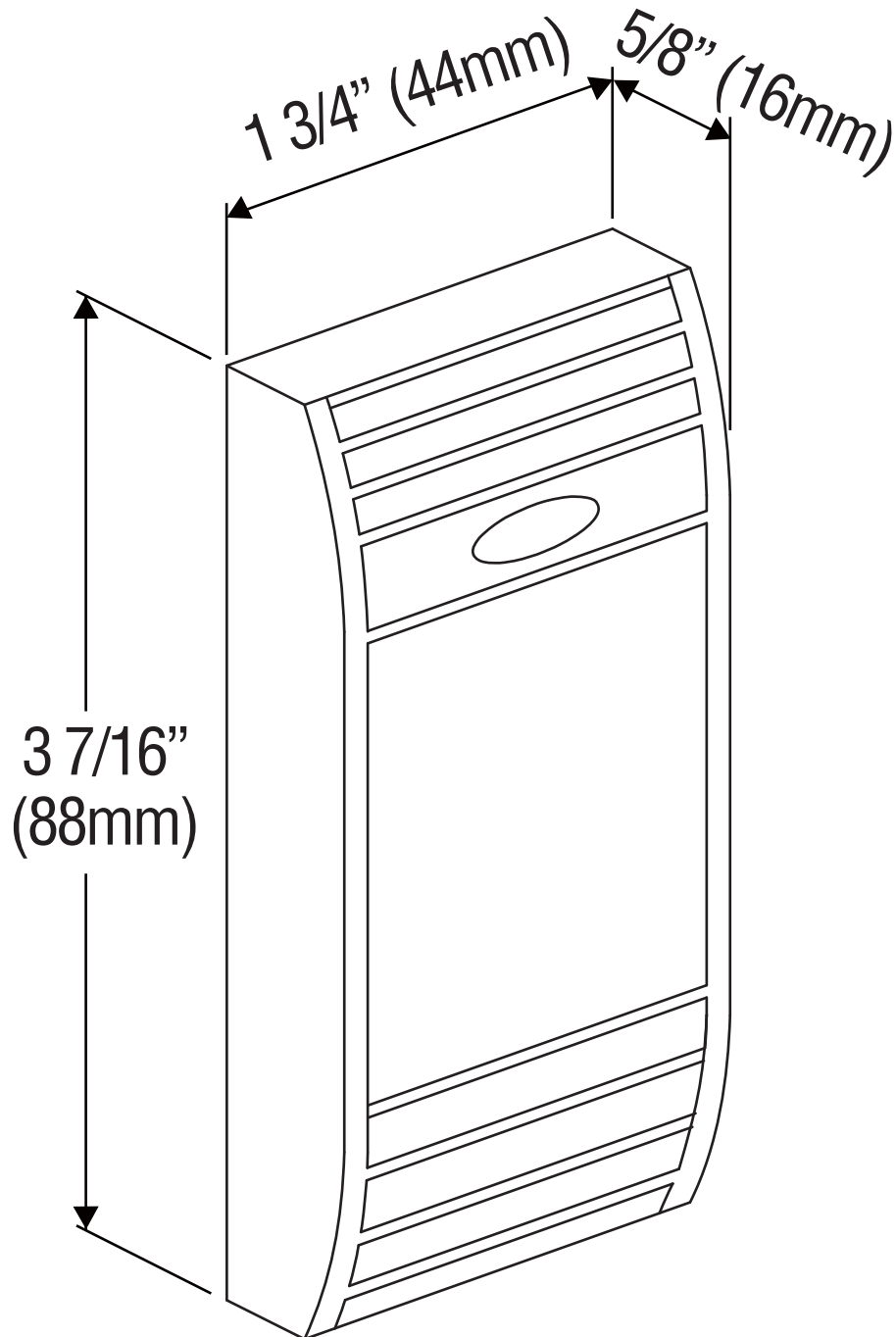


# Dimension

**GEMPROX-26M/GEMPROX-E/714-60**



All dimensions in mm