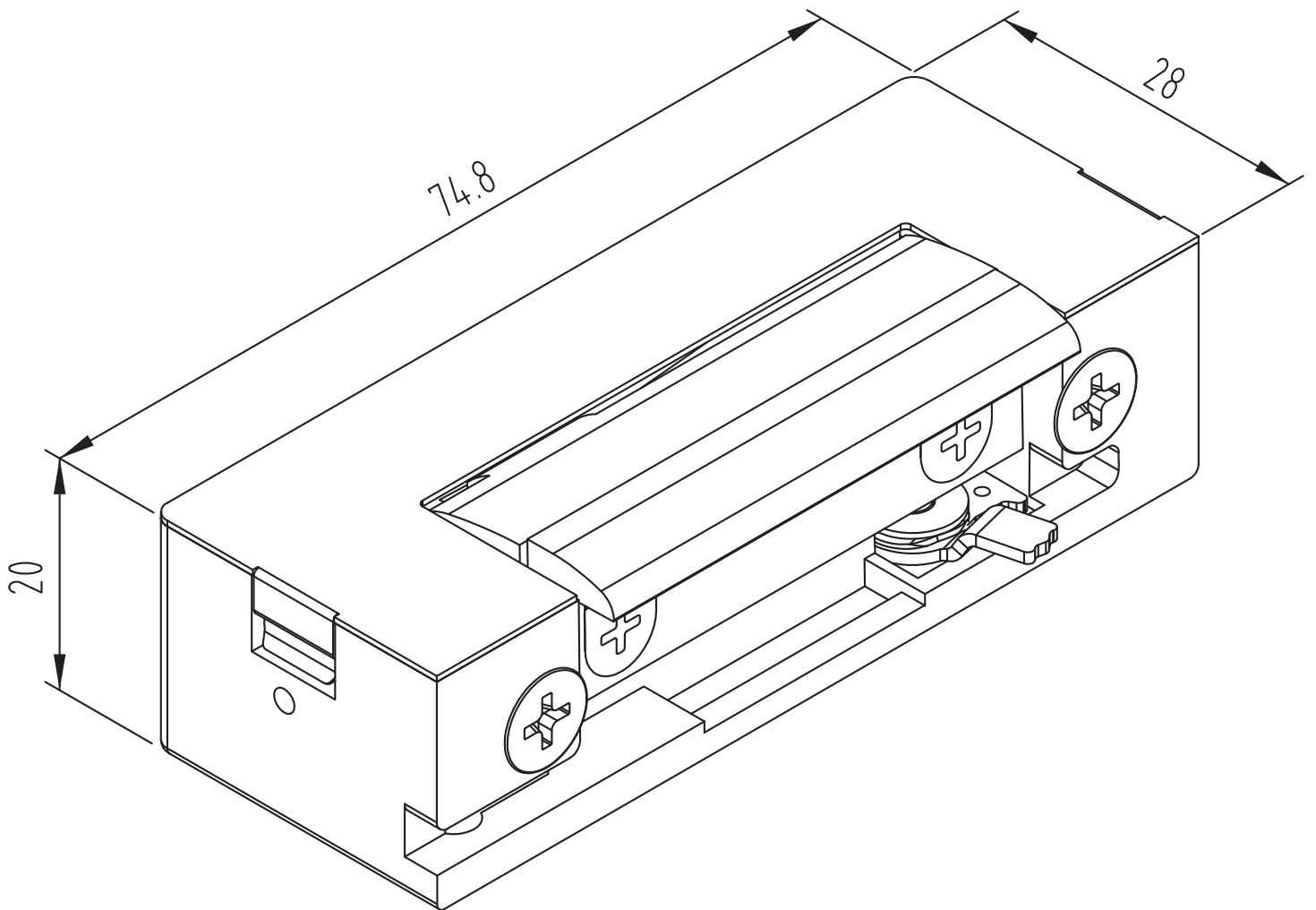


# Dimension

**GK520**



All dimensions in mm