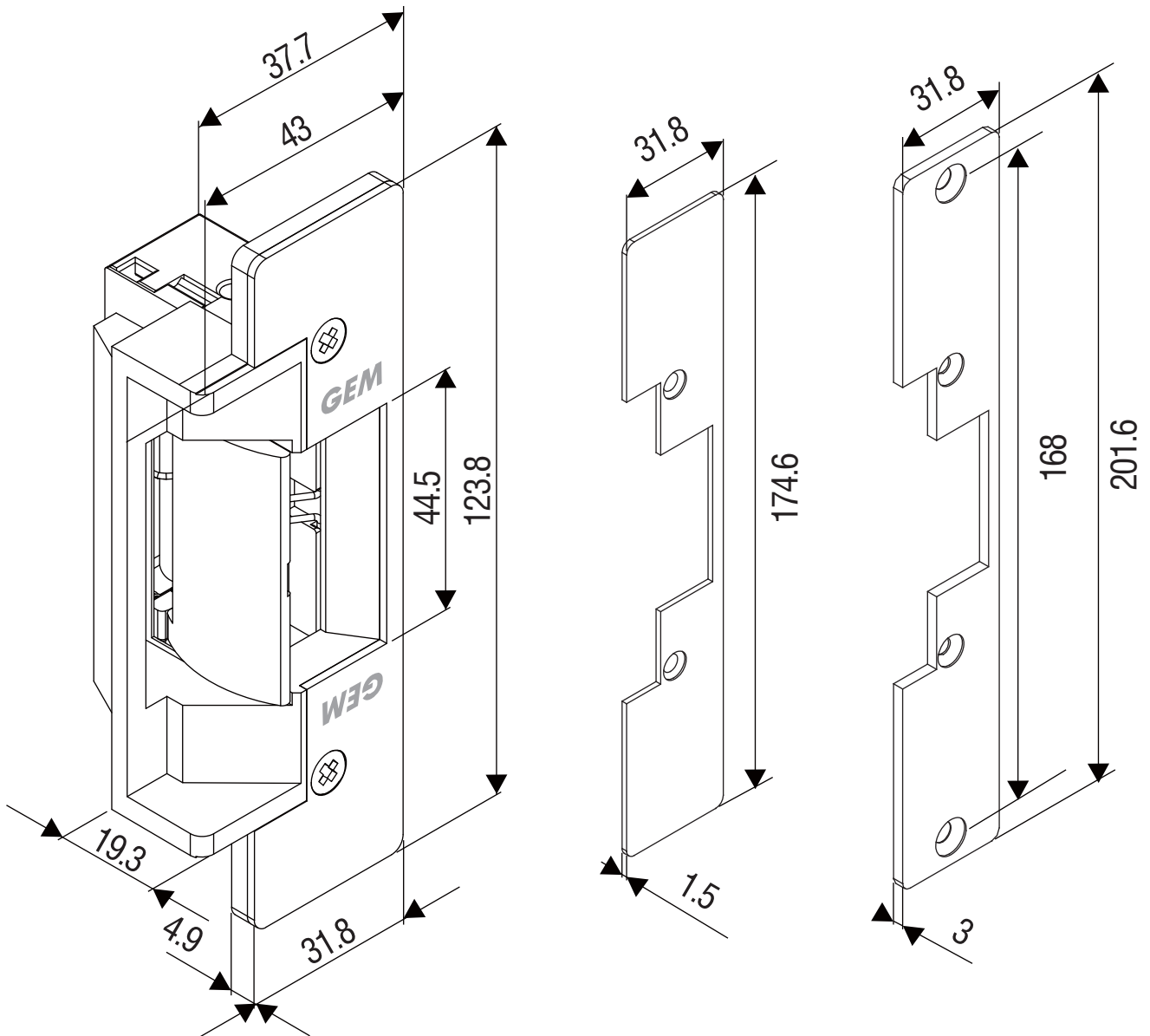


# Dimension

---

## GK880 with 3 faceplates



All dimensions in mm