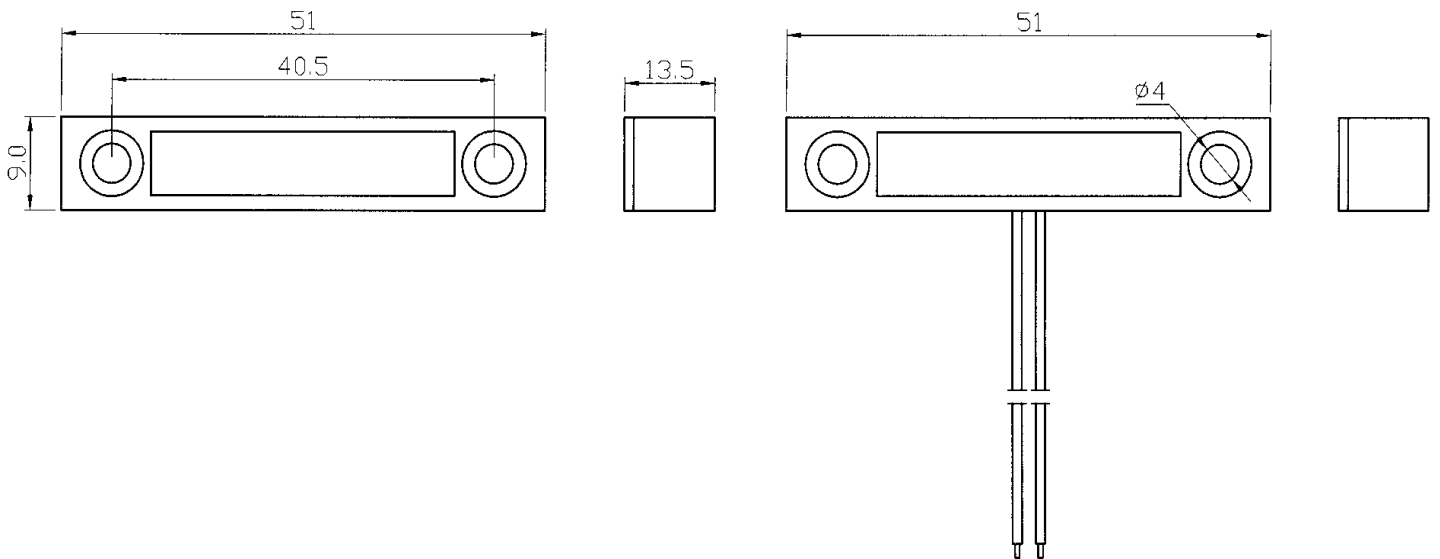


# Dimension

**GMC-2022**



All dimensions in mm