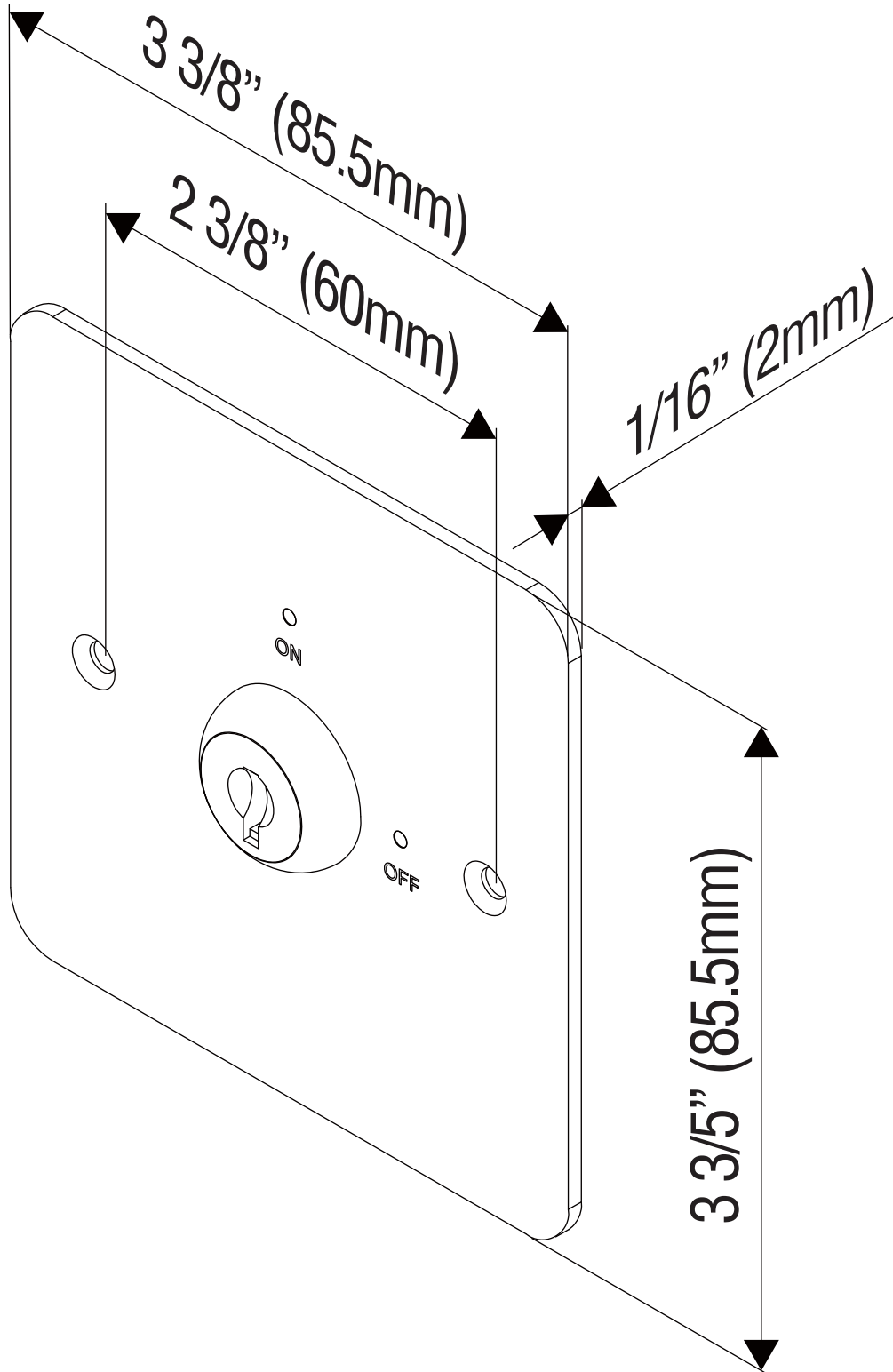


# Dimension

**KS-7510A**



All dimensions in mm