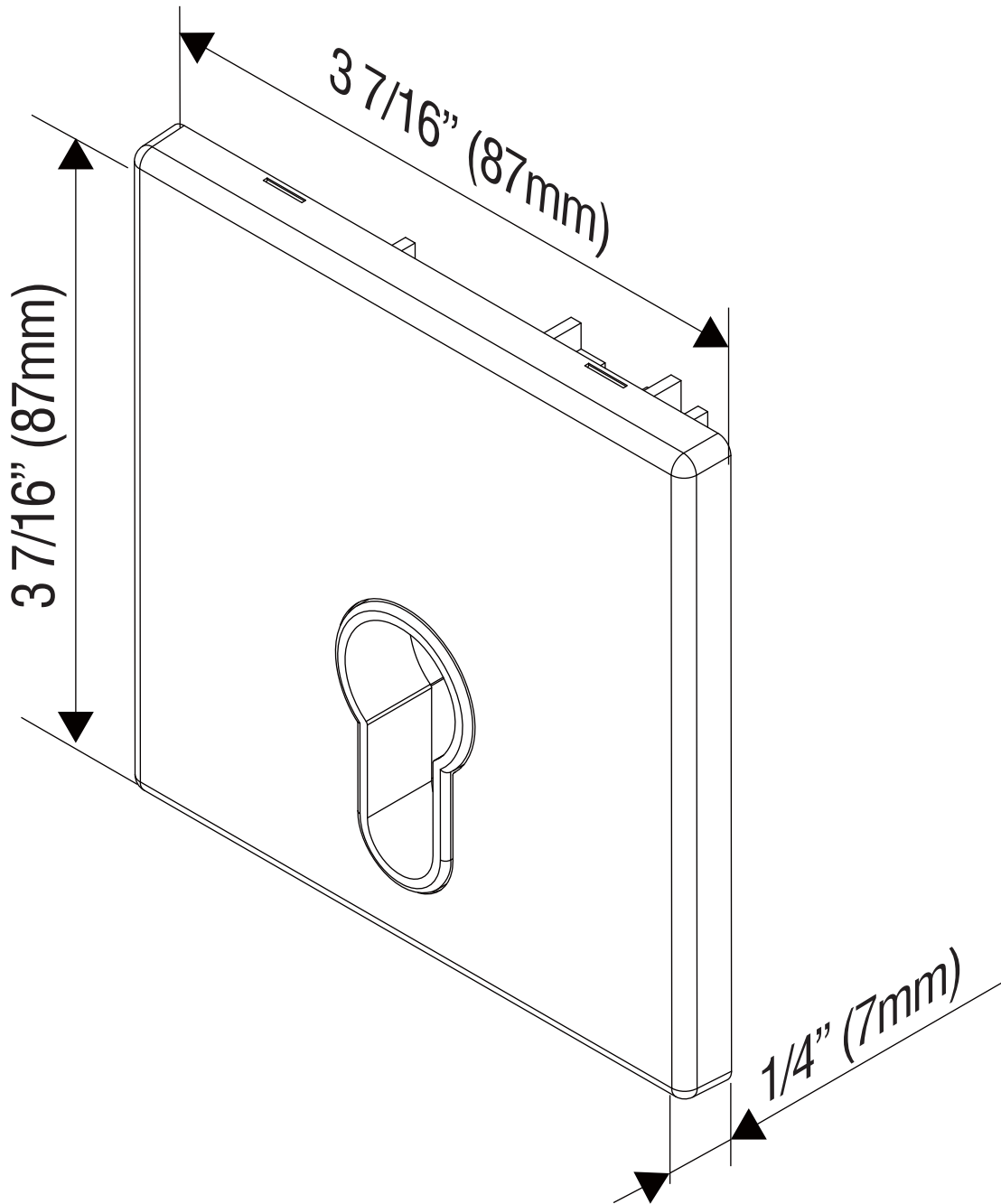


# Dimension

---

**KS-810**



All dimensions in mm