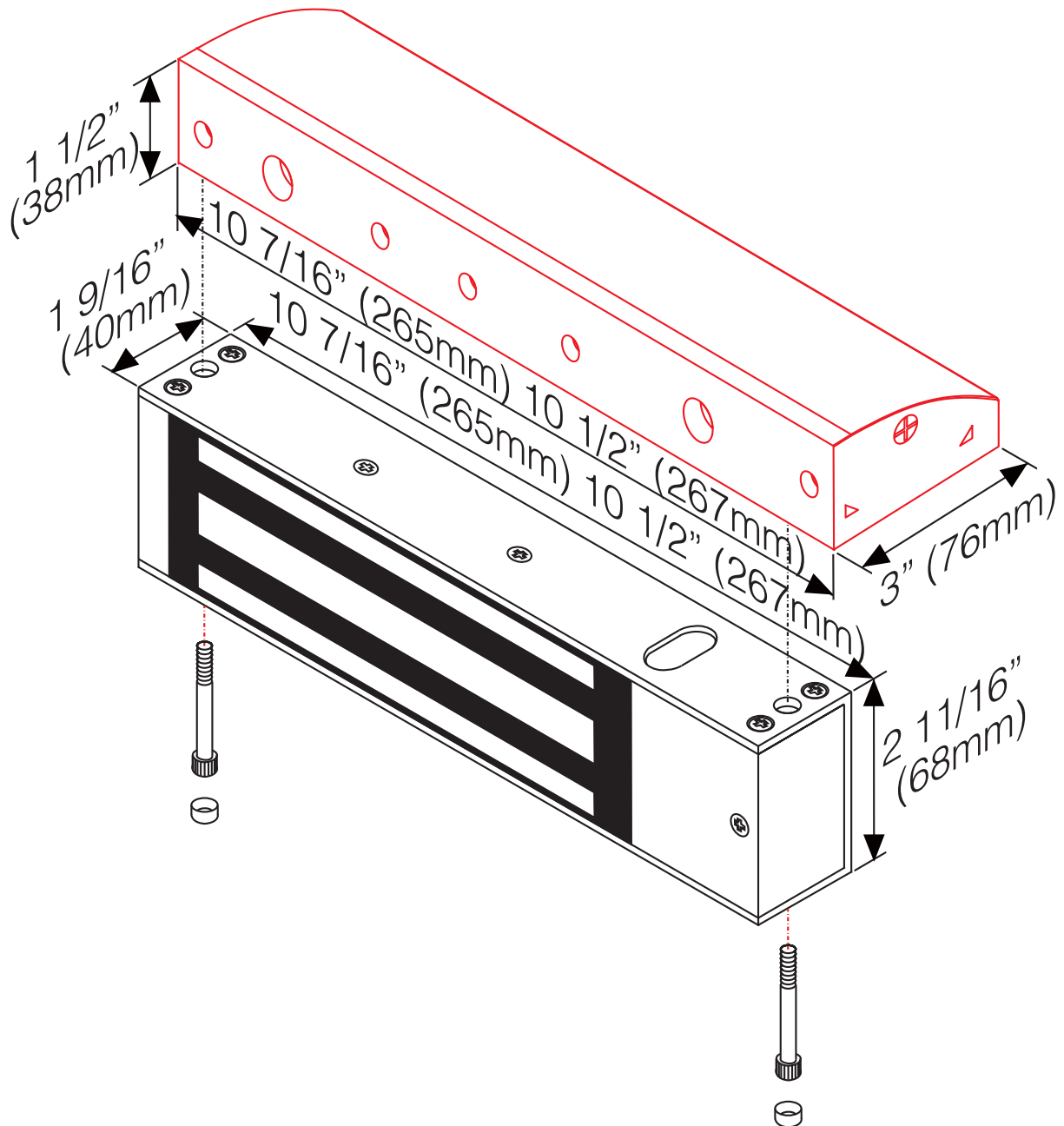


# Dimension

**L-10010N**



All dimensions in mm