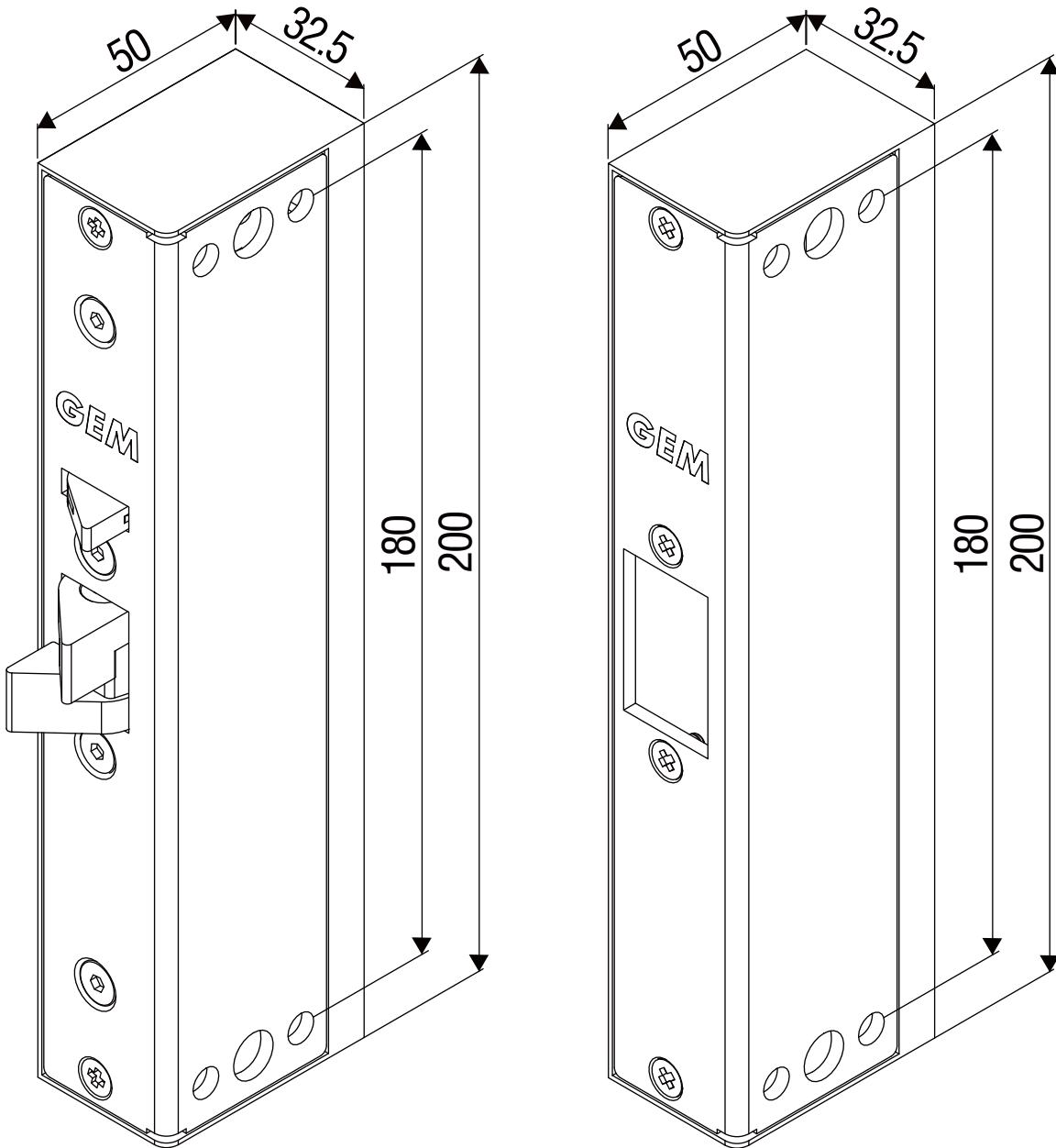


# Dimension

## ML-400MSMB



All dimensions in mm