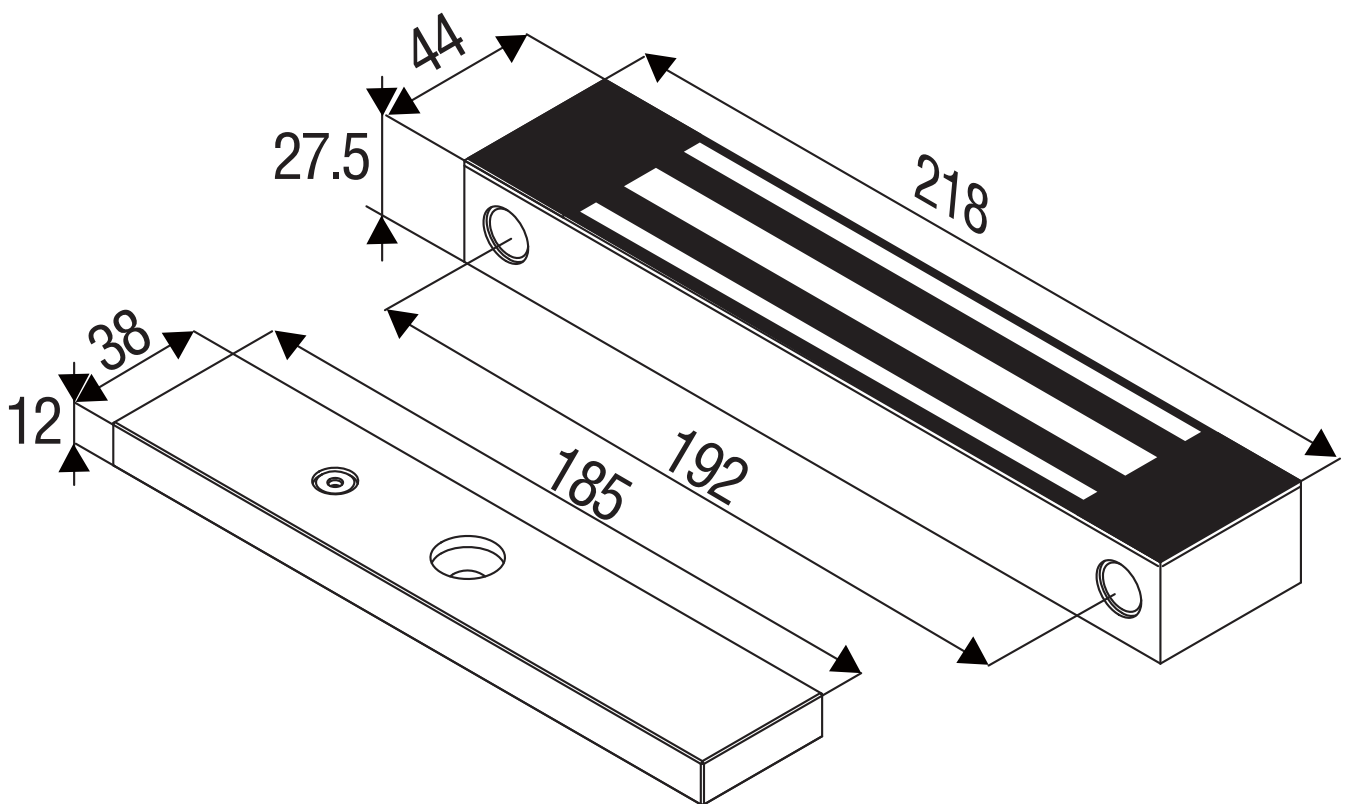


# Dimension

**N10001ST**



All dimensions in mm