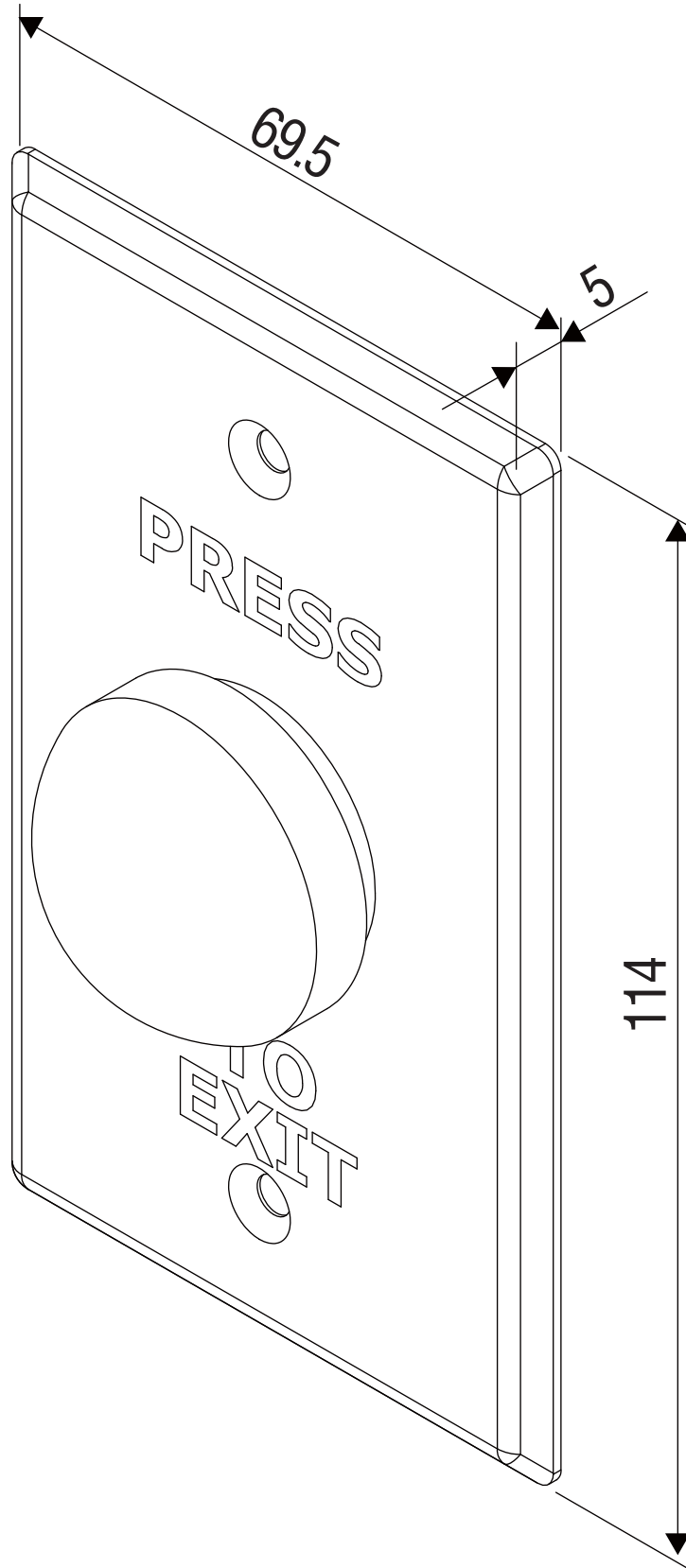


# Dimension

**PBT-160B**



All dimensions in mm