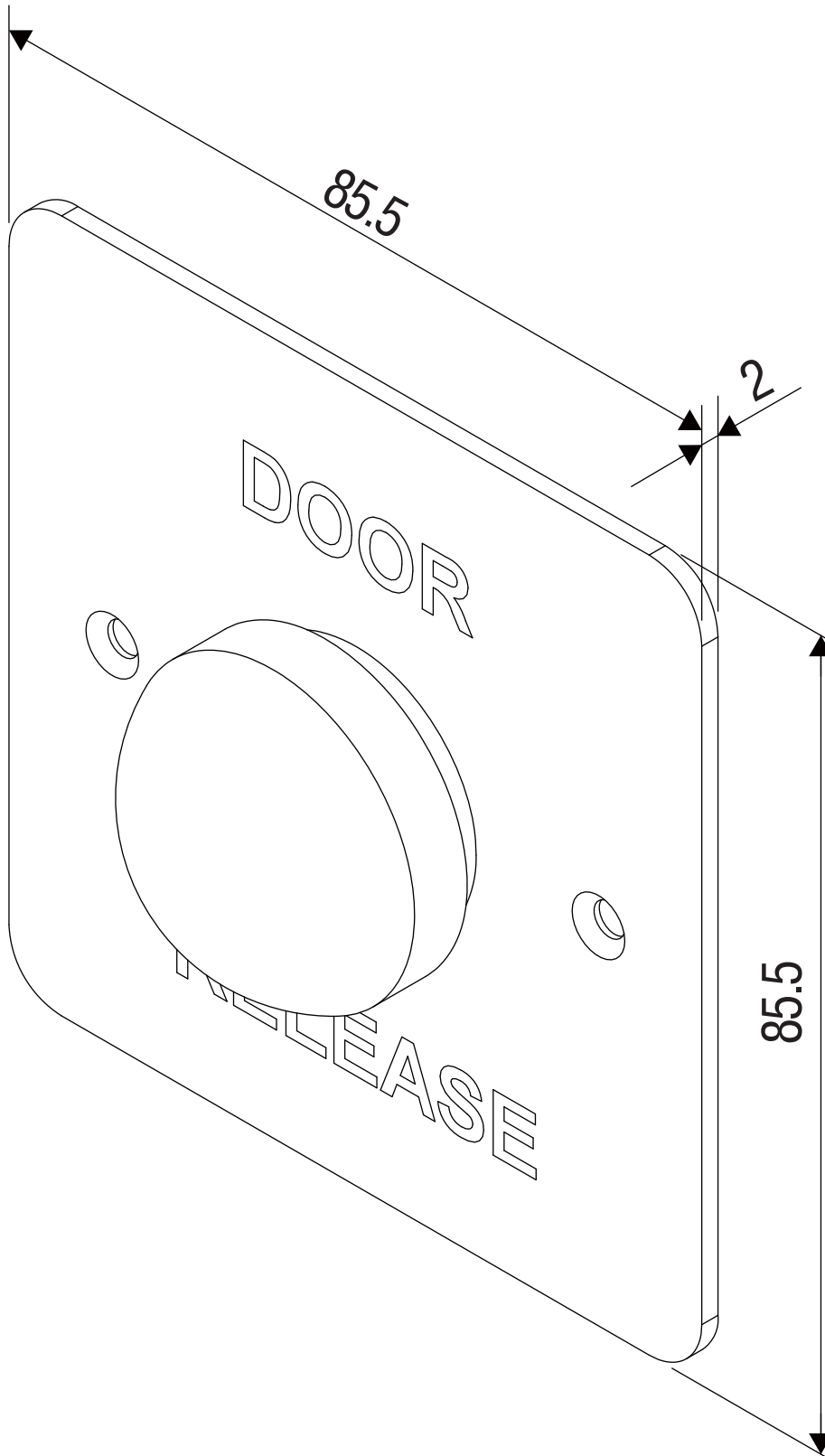


# Dimension

**PBT-400BS-DR**



All dimensions in mm