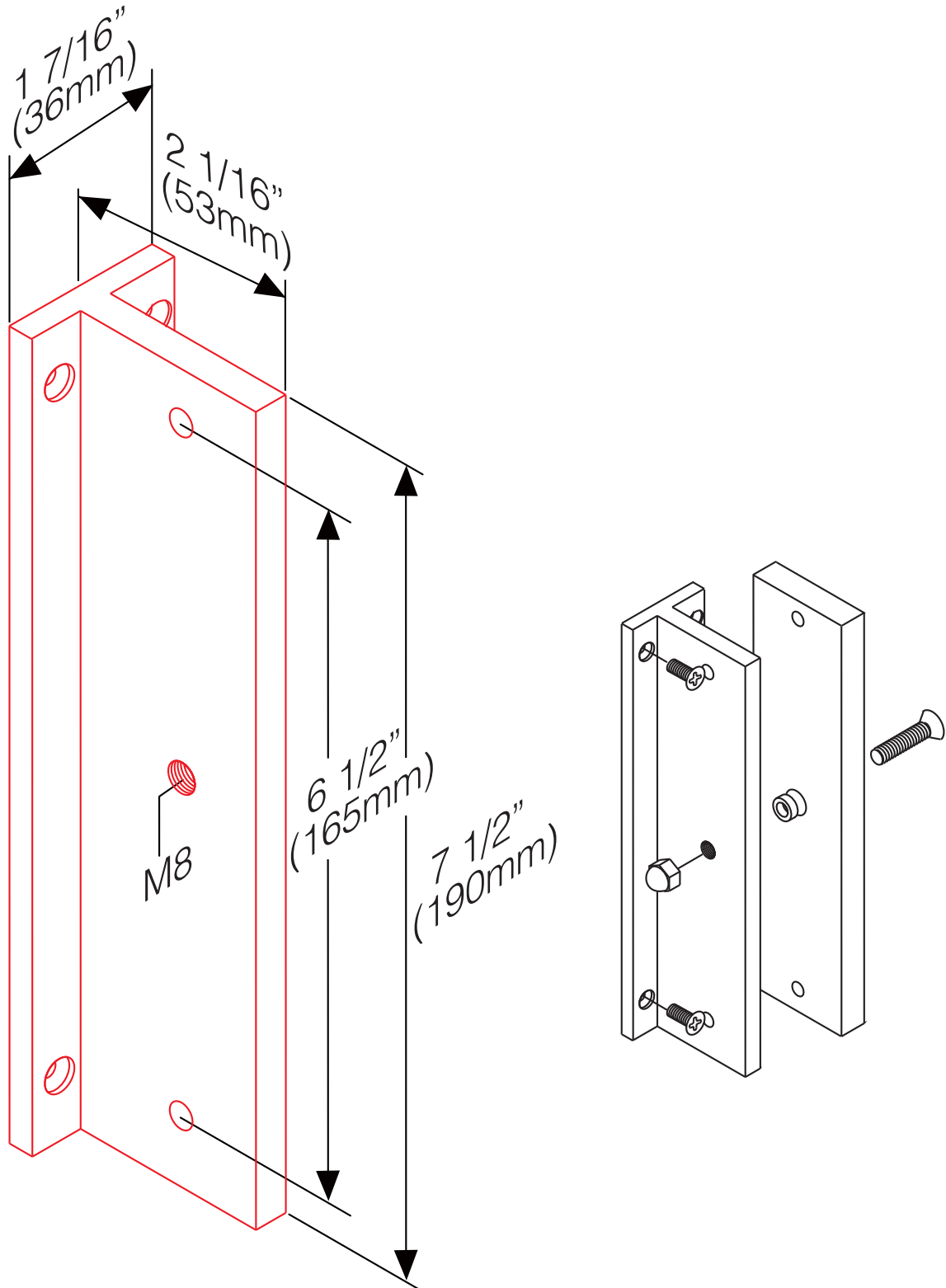


# Dimension

**TB-400**



All dimensions in mm