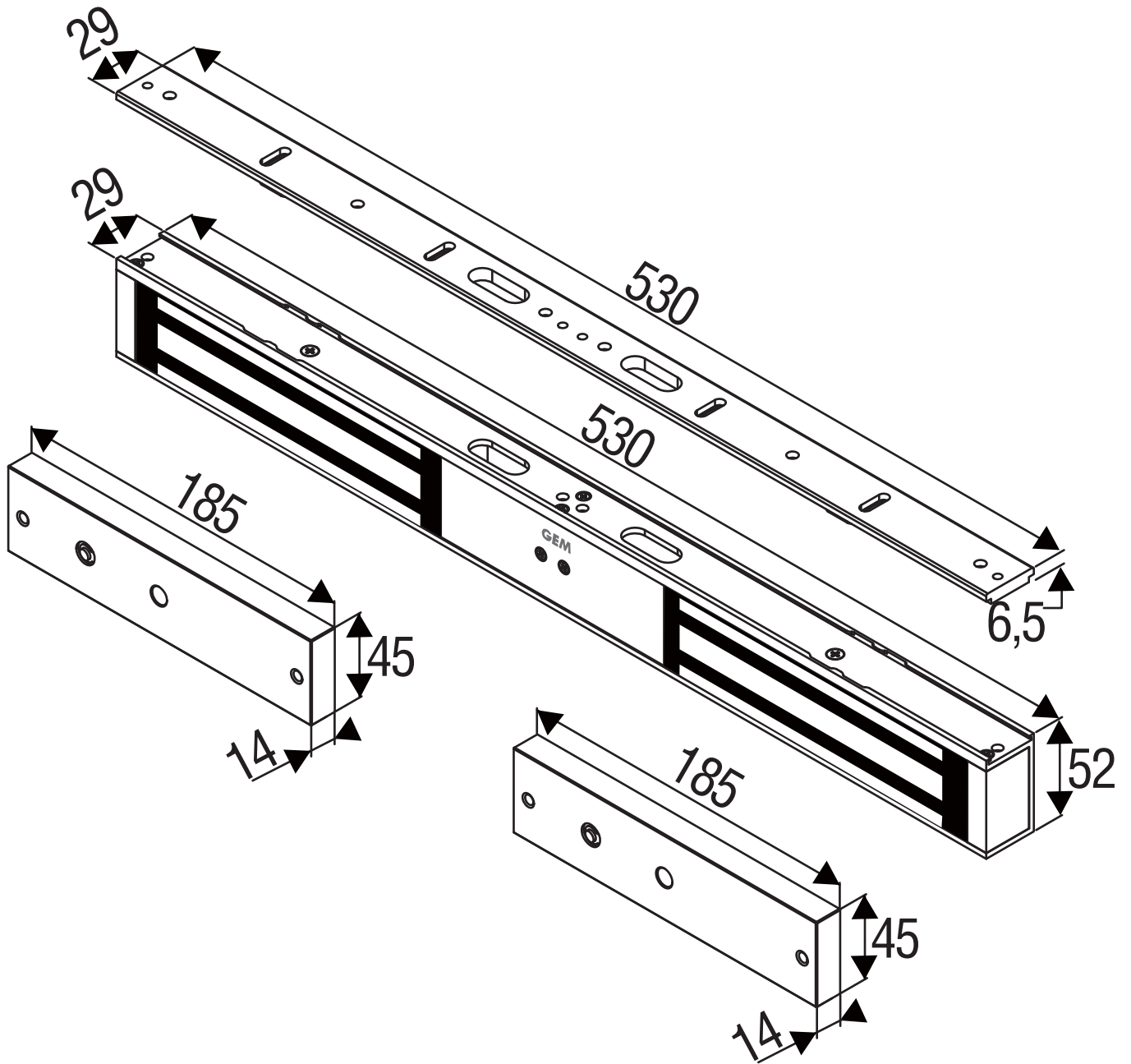


# Dimension

EM-NH2350



All dimensions in mm