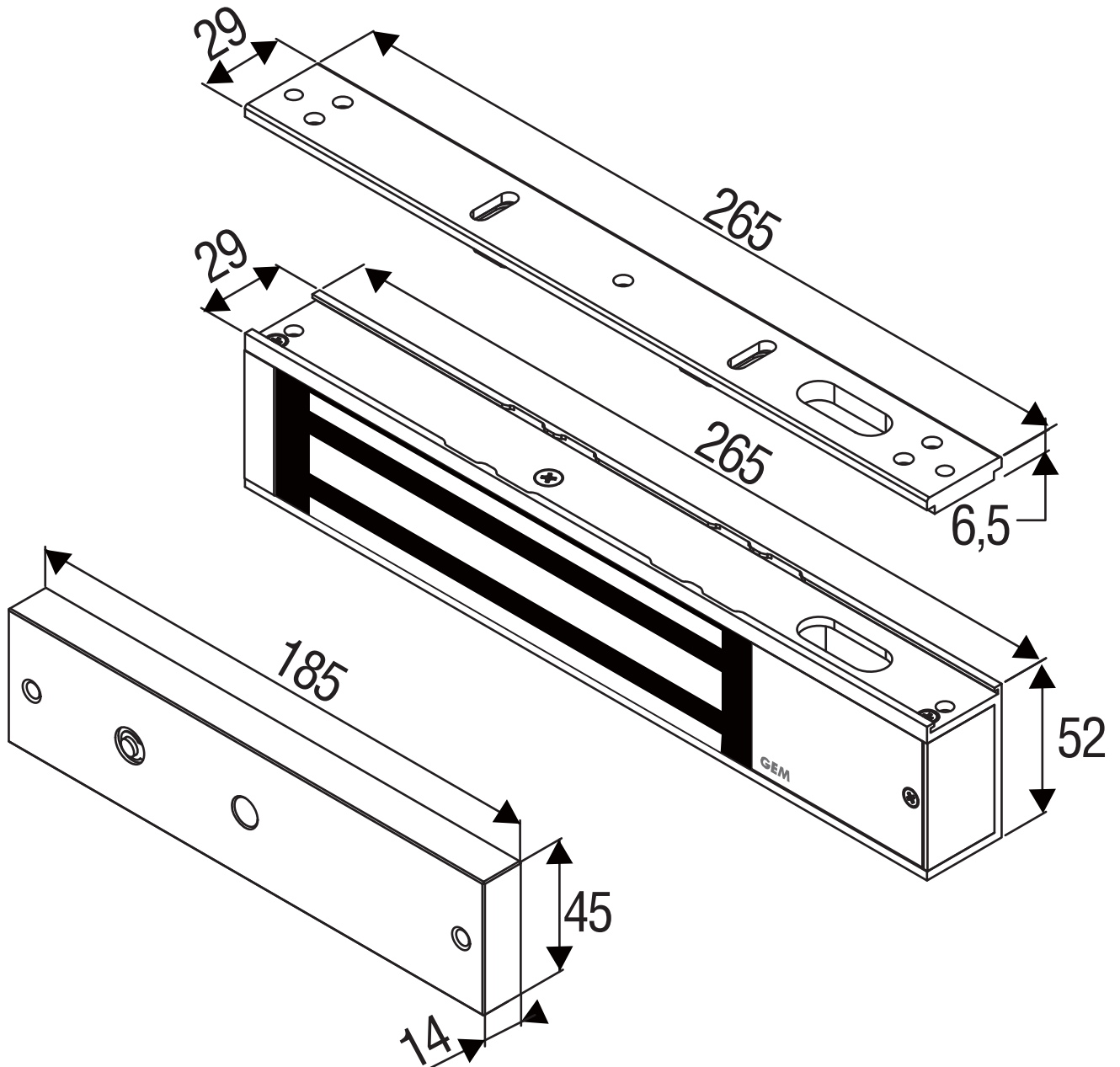


# Dimension

**EM-NH350**



All dimensions in mm