



● Statement

10000ST is designed for mortise mount in sliding doors. With stainless steel housing, it is suitable for outdoor applications and severe weather conditions. 10000STR comes with magnetic bond sensor indicating locked and unlocked status.

● Features

- For mortise mount in sliding doors
- Dual voltage 12/24 VDC (selectable)
- Anti-Residual magnetism function
- Stainless steel casing
- MOV provides spike and surge protection

● Operating Features

10000STR: Bond sensor output



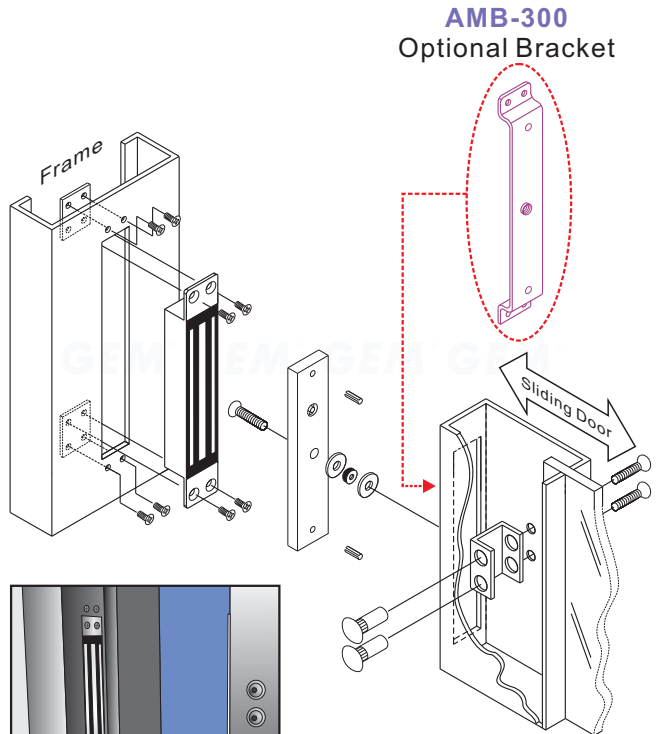
Bond sensor output is used to indicate the door status is in a locked or unlocked condition.

Bond sensor output: SPDT rated:0.5A/125VAC;1A/24VDC

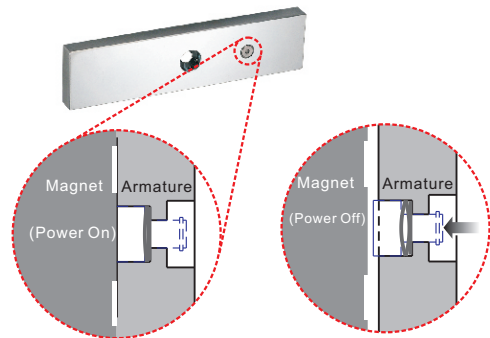
● Specification

- Operating voltage: 12/24 VDC(Dual Voltage)
- Current draw: 500mA/12VDC,250mA/24VDC(at temperature 20° C)
- Bond sensor output (10000STR):SPDT rated 0.5A/125VAC;1A/24VDC
- Operating temperature: -10~55° C (14~131° F)
- Humidity: 0~95% non-condensing.
- Holding force: Up to 600 lbs (272 Kg)
- Dimensions:
 - Magnet:(L) 227, (W) 38, (D) 26 mm
 - Armature plate:(L) 185, (W) 38, (D) 12 mm
- Special finishes for magnet and armature plate: Zinc plated
- Epoxy potting compound: E87252 (S), UL94V-0
- Net Weight : 2.1 Kg

● Application



Mortise mount (sliding door)



Anti-residual statement

Our electromagnet locks feature Anti-Residual Magnetism (ARM) which ensures the door can be opened without any resistance from left over magnetism imparted to the armature plate

● Warranty

The product is warranted against defects in material and workmanship while used in normal service for a period of 5 years from the date of sale to the original client. The GEM policy is one of continual development and improvement; therefore GEM reserves the right to change specifications without notice.

GIANNI INDUSTRIES, INC.