

### ● Features

- **Low maintenance with high reliability**
- **Stainless steel housing**
- **Dual voltage 12 or 24 VDC (selectable)**
- **MOV provides spike and surge protection**
- **Holding force up to 800 lbs**

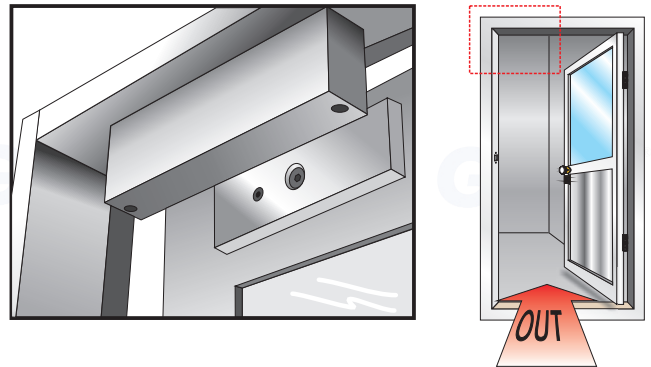
### ● Statement

10006S is designed for surface mount on out-swing doors. The maglock can be configured to mount on in-swing and glass doors with optional LZ- and U-shaped brackets. With stainless steel housing, it is suitable for outdoor applications and severe weather conditions. 10006S-M comes with magnetic bond sensor indicating locked and unlocked status.

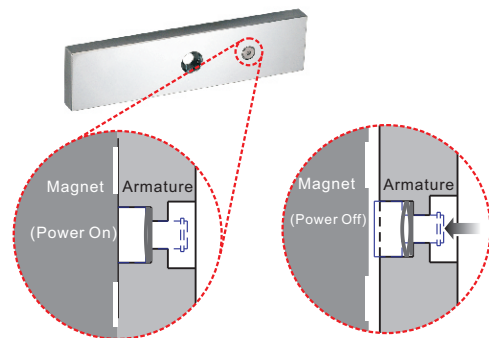
### ● Specification

- Operating Voltage: Single Voltage: 12 or 24VDC  
Dual Voltage: 12/24VDC
- Current Draw:
- Single Voltage: 340mA/12VDC, 250mA/24VDC
- Dual Voltage: 500mA/12VDC, 250mA/24VDC  
(at temperature 20°C)
- Bond sensor output (10006S-M)SPDT rated 0.5A/20VDC
- Operating temperature: -10~55°C (14~131°F)
- Humidity: 0~95% non-condensing.
- Holding force: Up to 800 lbs (363 Kg)
- Dimensions:
- Magnet:(L) 216, (W) 52, (D) 30 mm
- Armature plate:(L) 185, (W) 45, (D) 14 mm
- Special finishes for magnet and armature plate: Zinc plated
- Epoxy potting compound: E87252 (S), UL94V-0
- Net Weight : 3.0 Kg

### ● Standard Installation



This series of Waterproof Magnetic Lock is protected by epoxy potting compound. Also, GEM Waterproof Series Magnetic Locks have been proved to withstand water with the test procedures of IPX7, IPX8 by a trusted third party. Therefore users need not worry that the lock will rust or spark, if the lock is in outdoor applications and installed in confined space where inflammable gases are stored.



#### Anti-residual statement

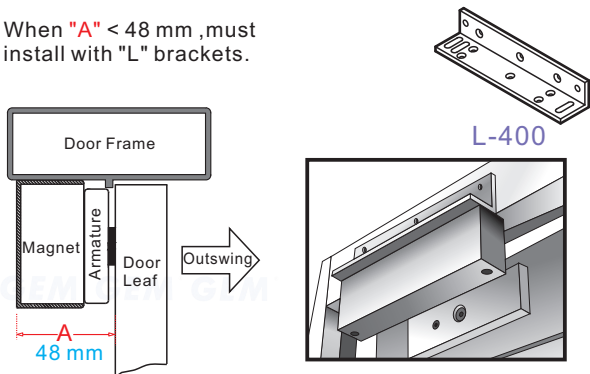
Our electromagnet locks feature Anti-Residual Magnetism (ARM) which ensures the door can be opened without any resistance from left over magnetism imparted to the armature plate

### Optional Brackets

Bracket installation is according to door swing direction and door frame type , e.g. narrow frame door frameless glass door inswing door etc.

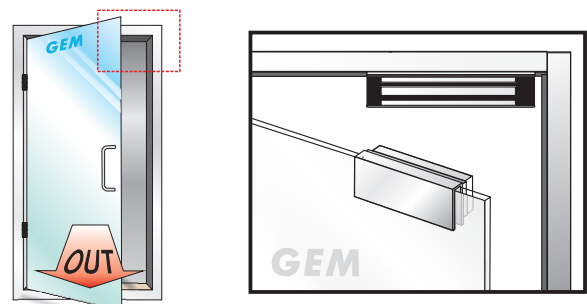
#### L-bracket for narrow door frames

When "A" < 48 mm , must install with "L" brackets.

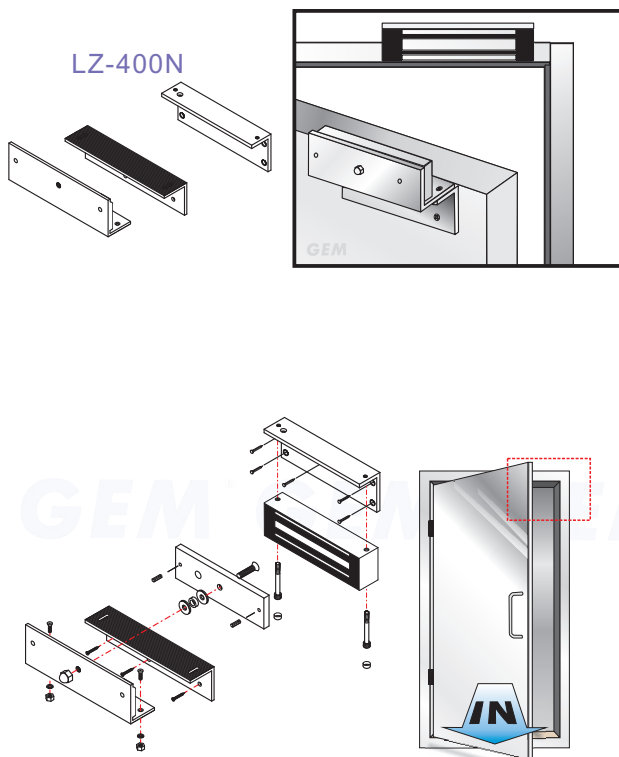


#### U-bracket for frameless glass doors

UBK-013 For 10~12mm glass thickness



#### LZ-bracket for inswing doors



### Warranty

The product is warranted against defects in material and workmanship while used in normal service for a period of 5 years from the date of sale to the original client. The GEM policy is one of continual development and improvement; therefore GEM reserves the right to change specifications without notice.

### GIANNI INDUSTRIES, INC.