



Features

- **Low maintenance with high reliability**
- **Stainless steel casing**
- **Anti-residual magnetism function**
- **Holding force up to 1200 lbs**
- **Dual voltage input: 12 or 24 VDC (selectable)**
- **MOV protects against spike and surge current**

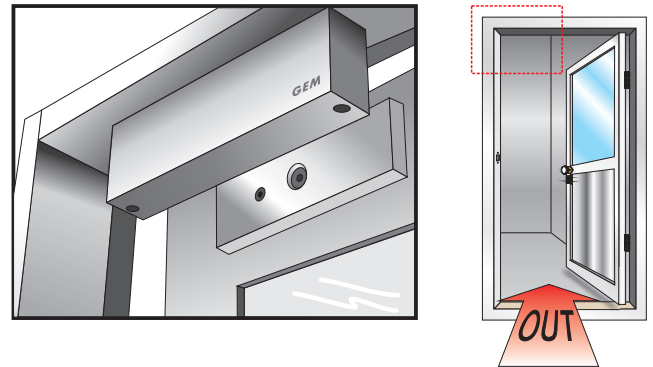
Statement

10010ST is designed for surface mount on out-swing doors. The maglock can be configured to mount on in-swing doors with optional LZ-shaped brackets. With stainless steel housing, it is suitable for outdoor applications and severe weather conditions. 10020ST comes with locked and unlocked status output.

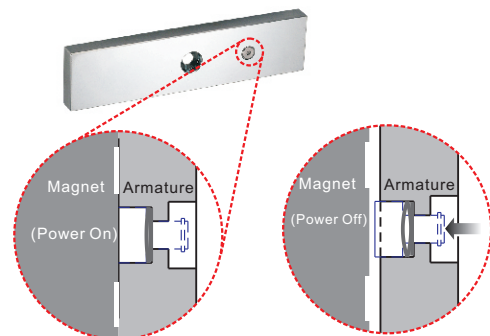
Specification

- Operating Voltage: Single Voltage: 12 or 24VDC
Dual Voltage: 12/24VDC
- Current Draw:
Single Voltage: 460mA/12VDC, 250mA/24VDC
Dual Voltage: 500mA/12VDC, 250mA/24VDC
(at temperature 20°C)
- Bond sensor output (10020ST) SPDT rated 0.5A/20VDC
- Operating temperature: -10~55°C (14~131°F)
- Humidity: 0~95% non-condensing.
- Holding force: 1200 lbs (545 Kg)
- Dimensions:
Magnet: (L) 220, (W) 68, (D) 41 mm
Armature plate: (L) 185, (W) 62, (D) 16 mm
- Zinc plated finish for magnet and armature plate
- Epoxy potting compound: E87252 (S), UL94V-0
- Net Weight: 5.0 Kg

Standard Installation



This series of Waterproof Magnetic Lock is protected by epoxy potting compound. Also, GEM Waterproof Series Magnetic Locks have been proved to withstand water with the test procedures of IPX7, IPX8 by a trusted third party. Therefore users need not worry that the lock will rust or spark, if the lock is in outdoor applications and installed in confined space where inflammable gases are stored.



Anti-residual statement

Our electromagnet locks feature Anti-Residual Magnetism (ARM) which ensures the door can be opened without any resistance from left over magnetism imparted to the armature plate

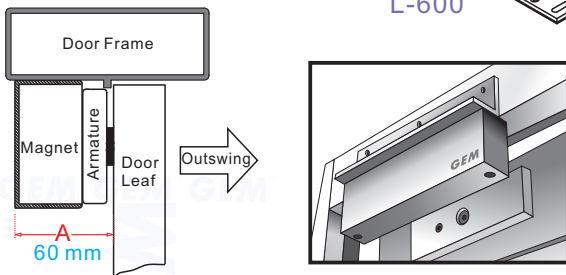
GIANNI INDUSTRIES, INC.

Optional Brackets

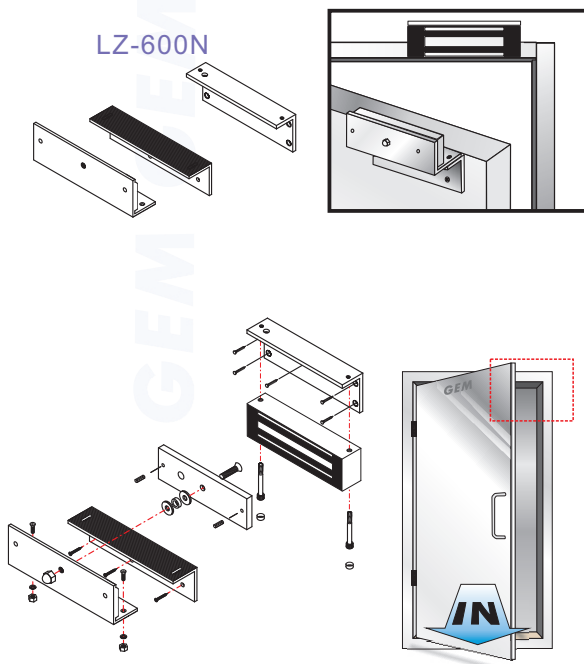
A appropriate bracket complements the magnetic lock. Brackets are selected according to the direction of door swing, the thickness of door frames and the materials of the doors.

Out swing doors: L-brackets are recommended for narrow frame doors.

When "A" < 60 mm ,must install with "L" brackets.



In swing doors: LZ-600N bracket is recommended to be fastened on doors that open inwards.



Warranty

The product is warranted against defects in material and workmanship while used in normal service for a period of 5 years from the date of sale to the original client. The GEM policy is one of continual development and improvement; therefore GEM reserves the right to change specifications without notice.

GIANNI INDUSTRIES, INC.