



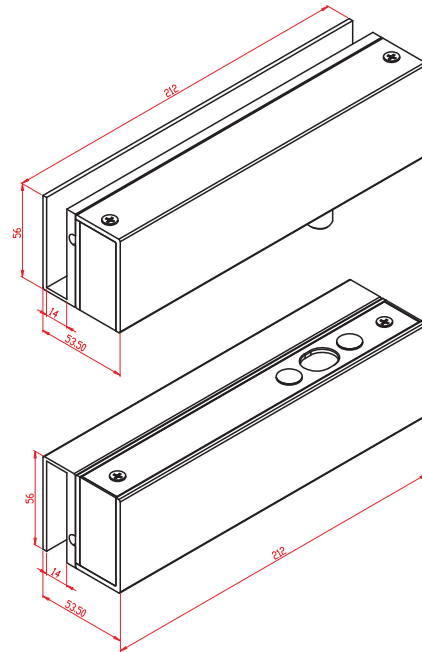
### Statement

The EB195VGL electric dropbolt also comes with all the same functions as EB190 sending signals about bolt status and door position. The Electric Dropbolts can be mounted on frameless glass doors and glass walls. The housing comes in two colors, gold and silver, in order to offer a noble and grand appearance.

### Specification

- Fail-Safe Version (Power to Lock)
- Operating Voltage: 12/24VDC (self-regulating)
- Voltage Tolerance:  $\pm 10\%$
- Current Draw: Pull in: 0.9A, Holding: 0.3A/12VDC (at 20°C)
- BSS output: Magnetic bolt status output (SPDT rated 3A/30VDC) indicates bolt locked or unlocked status.
- DPS output: Indicates door position (open or closed), Reed rated 0.25A/30VDC.
- Operating Temperature: -10~+45°C
- Humidity: 0~95% non-condensing.
- Tested over 500000 cycles.
- Built-in logical circuitry
- Auto-relocking Time Delay : 0, 3 ,6 ,9 seconds
- Net Weight: 2.1 Kg
- Breakthrough in innovation ideas
- Vandal resistant circuitry
- Auto-detective logical circuitry
- Horizontal or vertical installation

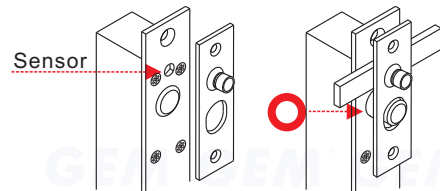
### Dimensions



Unit: mm

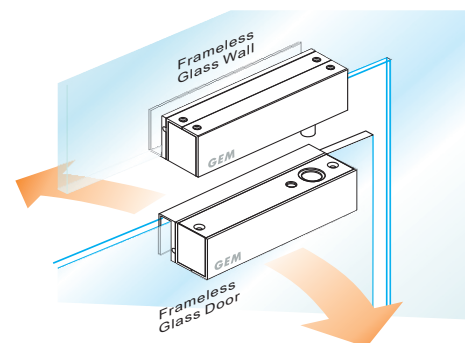
### Vandal Resistant

The vandal resistant circuitry means the door position sensor can't be fooled into projecting the electric dropbolt unless the door is actually closed. The reed sensor automatically disconnects after the bolt is projected to enhance security of the lock.



### Double Action Doors

EB195VGL Electric dropbolt is specially designed for use on double swinging doors. They can also be installed on both outswinging and inswinging doors.



### GIANNI INDUSTRIES, INC.

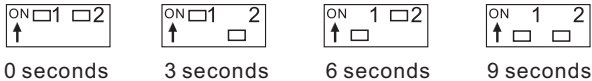
## ● Long life solenoids

The specially designed solenoid aims for strength and long life. The solenoid is guaranteed 500,000 times of operations.

## ● Relock Time Delay

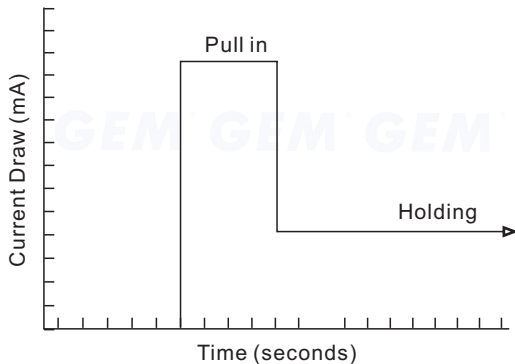
Adjustable Time Delay of 0,3,6,9 seconds with 2 way DIP switch. (Default Value: 0 sec.)

Relock time setting

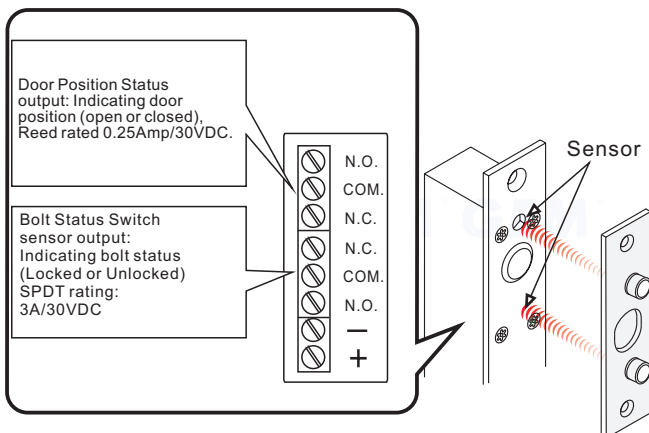


## ● Energy Saving Design

After the dropbolt is completely locked, the current draw changes from 0.9A to 0.15A to prolong its life.

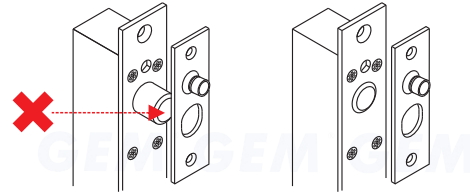


## ● BSS & DPS output

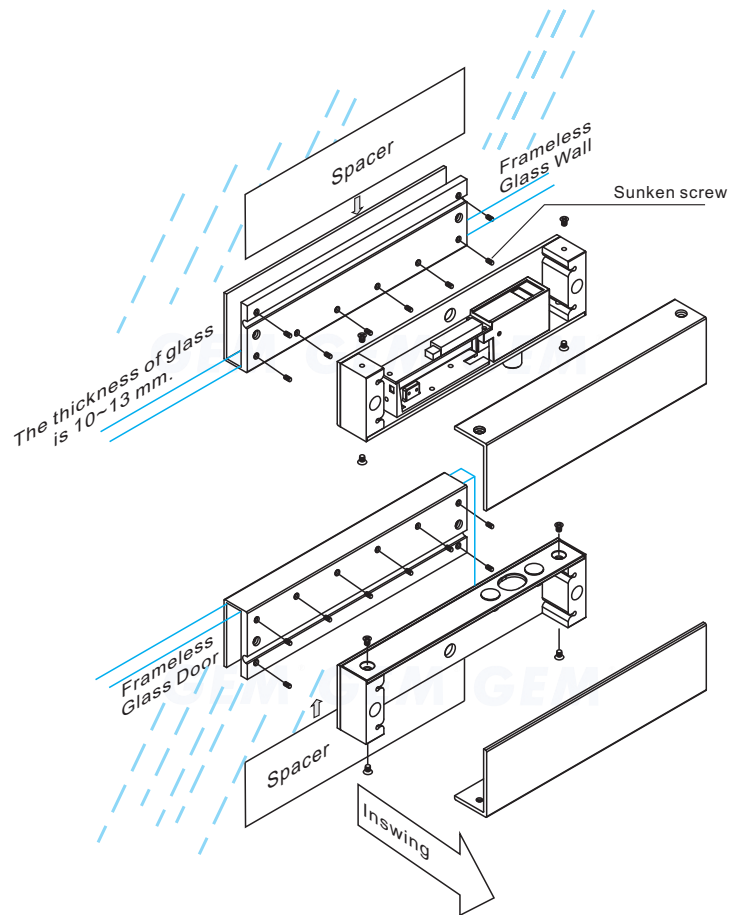


## ● Auto-detective circuitry

The unique intelligent logic circuit in GEM's electric dropbolts keeps the bolt retracted whilst the door is unlocked until the door is properly closed. This feature ensures the bolt will not extend if the door is improperly aligned.



## ● Application



## ● Warranty

The product is warranted against defects in material and workmanship while used in normal service for a period of 1 year from the date of sale to the original customer. The GEM policy is one of continual development and improvement; therefore GEM reserves the right to change specifications without notice.

## GIANNI INDUSTRIES, INC.