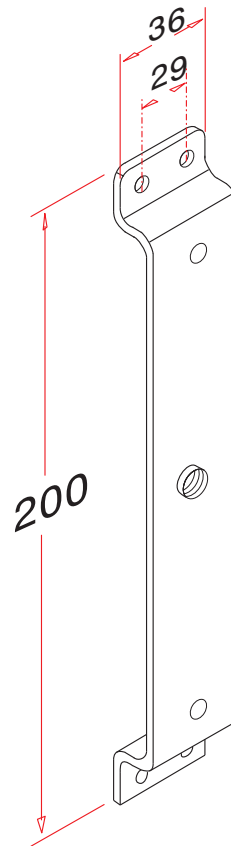
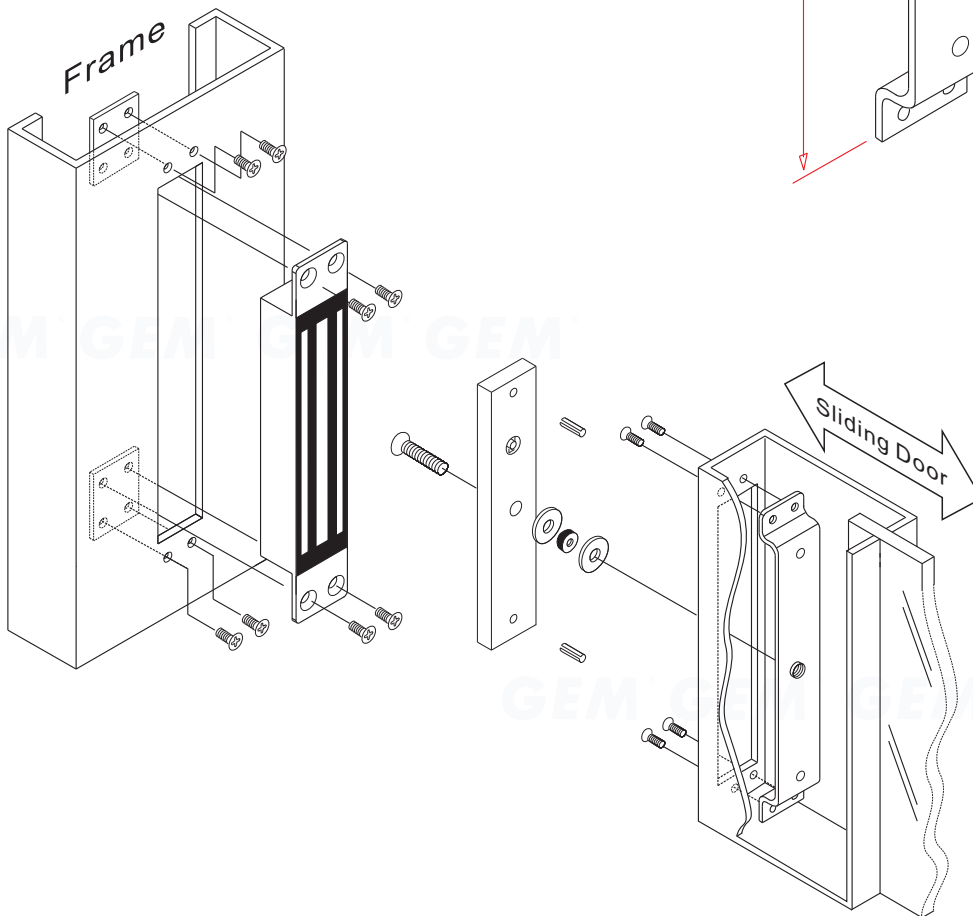




■ Application of Electromagnet:  
10000, 10000ST Series



Unit:mm



### GIANNI INDUSTRIES, INC.