

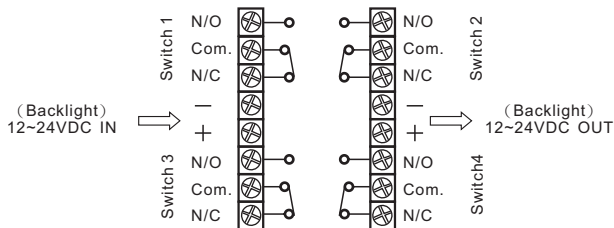
Patent No.:
M328067 (Taiwan)
ZL 2007 2 0175576.7 (China)

Statement

The CP-24 series Break Glass call points, with quadruple pole, change contacts from N/C to N/O. The main function is to override the electrical locking/release devices in case of emergency. A key is used to replace glass. L types have backlight.

Specification

Dimensions: 87x87x55 mm
Contact resistance: 50mΩ
Switch rating: 1A / 125VAC
Current draw (Backlight): 25mA / 12VDC; 45mA / 24VDC

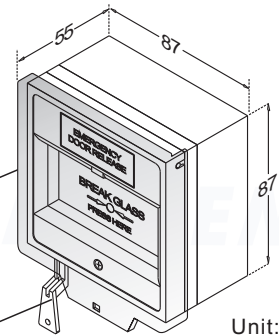


Dimensions

(European Size)

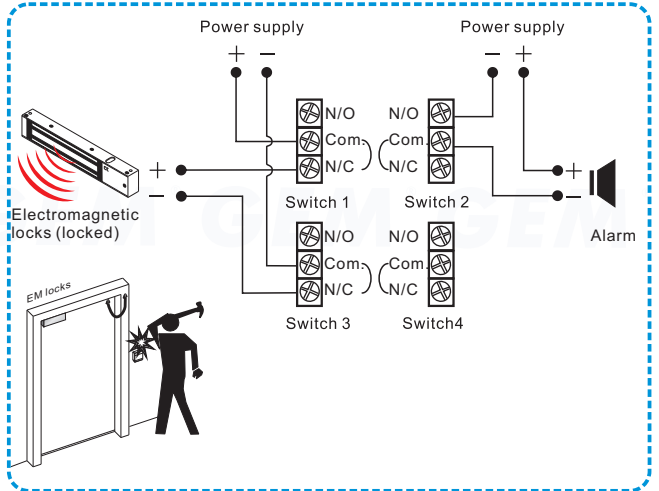
Polycarbonate
Hinged Cover

Auxiliary Key
(to change the broken glass)

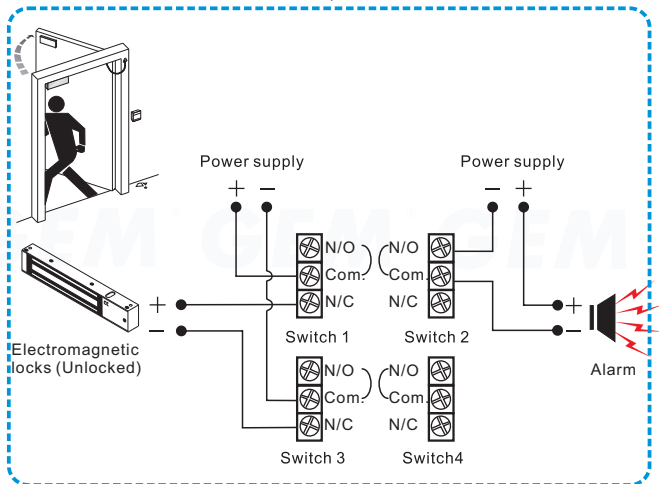


Unit: mm

Application



(Glass is broken)



Warranty

The product is warranted against defects in material and workmanship while used in normal service for a period of 1 year from the date of sale to the original client. The GEM policy is one of continual development and improvement; therefore GEM reserves the right to change specifications without notice.

GIANNI INDUSTRIES, INC.