



Statement

The EB-200N electric dropbolt is one of the most economical choices and it also has a complete optional accessories included. The EB-200N electric dropbolts are available in 32 mm and 38 mm wide faceplates. For the surface mount application, it can be used with SMB-200N surface mount back case. Also, after the door installs with the UBK-200N-

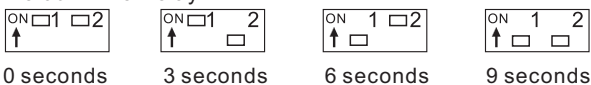
Specifications

- Fail-Safe Version (Power to Lock)
- Operating Voltage: 12 V DC
- Voltage Tolerance: 10%
- Current Draw:
Pull in: 0.9A, Holding: 0.3A/12VDC (at temperature 20°C)
- Door Position status output (Reed rated 0.25A/30VDC) indicates door opened or closed status.
- Operating Temperature: -10~+45°C
- Humidity: 0~95% non-condensing.
- Tested to 500000 cycles.
- Auto-relocking Time Delay : 0, 3, 6, 9seconds
- Net Weight: 1.2 Kg

Relock Time Delay

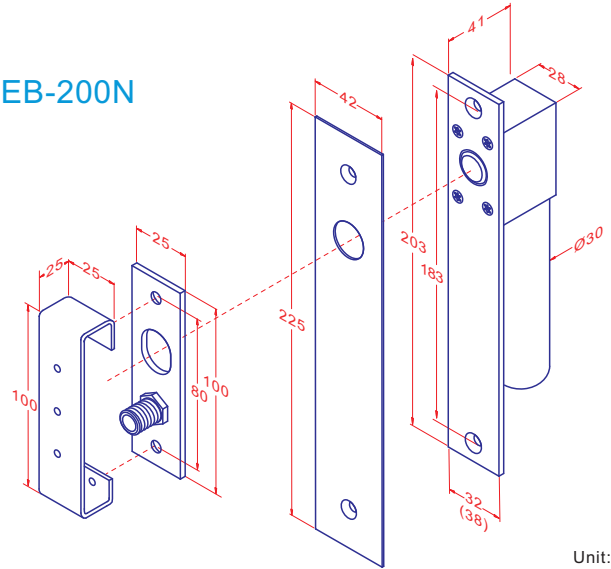
Adjustable Time Delay of 0,3,6,9 seconds with 2 way DIP switch. (Default Value: 0 sec.)

Relock Time Delay



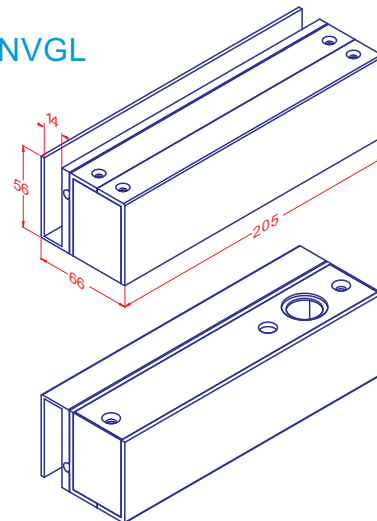
Dimension

EB-200N



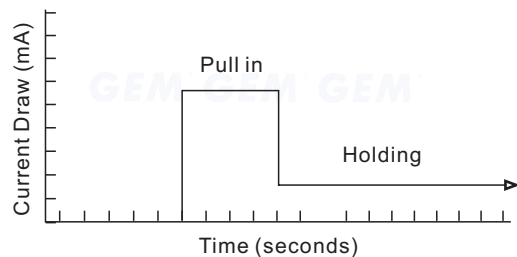
Unit: mm

EB-200NVGL



Energy Saving Design

After the dropbolt is completely locked, the current draw changes from 0.9A into 0.3A to prolong its lifetime.

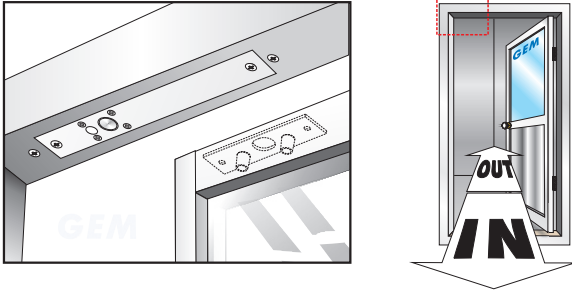


GIANNI INDUSTRIES, INC.

● Horizontal or vertical installation

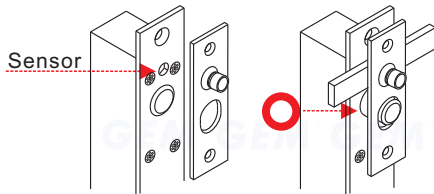
GEM's electric dropbolts can be installed either horizontally at the top or bottom of the door frame or vertically on the side of the door frame.

Horizontal Installation
(Frame Header)



● Smart Circuitry

The vandal resistant circuitry means the door close sensor can't be fooled into projecting the electric dropbolt unless the door is actually closed. The reed sensor automatically disconnects after the bolt is projected to enhance security of the lock.



● Solid bolt for superior strength

Greater security is provided by the 13.5mm diameter (16mm bolt throw) solid stainless steel bolt with hardened magnet core, which has resistant to metal cutting saws. The bolt also rotates freely, making attempts to tamper or cut extremely difficult.

● Long life solenoids

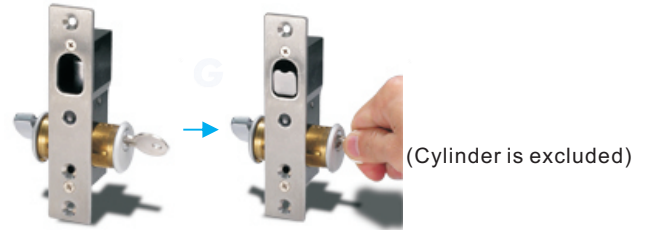
Special designed solenoid for strength and long life operating lifetime with guaranteed 500,000 operations.

● Warranty

The product is warranted against defects in material and workmanship while used in normal service for a period of 1 year from the date of sale to the original customer. The GEM policy is one of continual development and improvement; therefore GEM reserves the right to change specifications without notice.

● Optional Accessory

The KR-140 Key switch is also available to be installed together with Electric Dropbolt Locks, which provide the emergency manual release capability to prevent any unpredictable circumstances that disabled the Electric Dropbolt Locks.

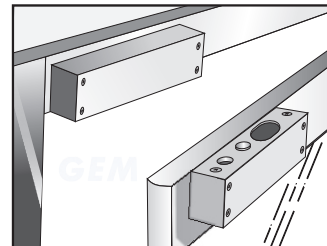


● Optional Brackets

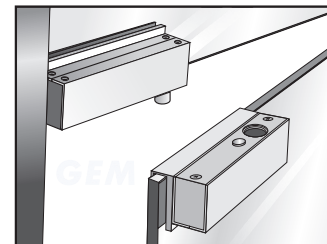


The unit may also be fitted semi-flush with the use of the SMB-200N completed housing. Or the EB-200N may also be fitted to a full glass door and glass frame application, using 2pcs of the SMB-200 Bracket and 2pcs of the UBK-200N-38 mounting brackets (EB-200NVGL). The thickness of glass are 10~13 mm maximum.

Surface Installation



□ Installation on Full Frameless Glass Door



GIANNI INDUSTRIES, INC.