



Waterproof Test:  
Reference to IEC 60529 Edition 2.1: 2001-02-IPX7

### Features

- High reliability
- Stainless steel housing
- Oval-angle magnet
- Waterproof rating IPX 7
- Dual voltage 12 or 24 VDC (selectable)
- MOV provides spike and surge protection
- Holding force up to 800 lbs

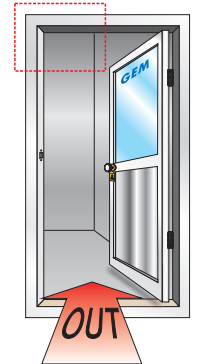
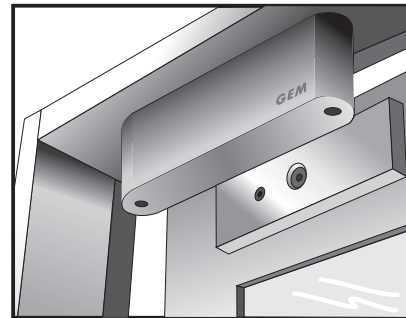
### Statement

EM-750 is designed for surface mount on out-swing doors. It achieves waterproof rating IPX 7 and is suitable for outdoor applications. The oval-angle magnet is unprecedented on market and aesthetically appealing. EM-750R comes with magnetic bond sensor indicating locked and unlocked status.

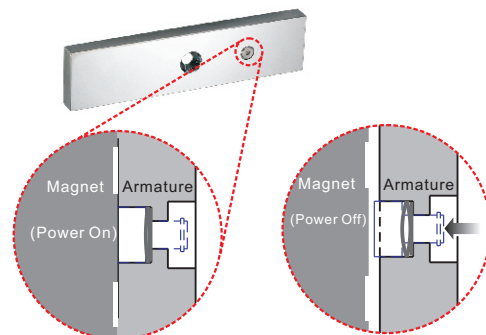
### Specification

- Operating Voltage: Single Voltage: 12 or 24VDC  
Dual Voltage: 12/24VDC
- Current Draw:  
Single Voltage: 340mA/12VDC, 250mA/24VDC  
Dual Voltage: 500mA/12VDC, 250mA/24VDC  
(at temperature 20°C)
- Bond sensor output (EM-750R): SPDT rated 0.5A/20VDC.
- Operating Temperature: -10~55°C (14~131°F)
- Humidity: 0~95% non-condensing.
- Holding Force: Up to 800 lbs (363 Kg)
- Dimensions:  
Magnet: (L) 230, (W) 46, (D) 30 mm  
Armature Plate: (L) 185, (W) 45, (D) 14 mm
- Special Finishes for magnet and armature plate: Zinc plated
- Epoxy Potting Compound: E87252 (S), UL94V-0
- Net Weight: 3.0 Kg

### Regular Installation



This series of Waterproof Magnetic Lock is protected by epoxy potting compound. Also, GEM Waterproof Series Magnetic Locks have been proved to withstand water with the test procedures of IPX7, IPX8 by a trusted third party. Therefore users need not worry that the lock will rust or spark, if the lock is in outdoor applications and installed in confined space where inflammable gases are stored.



#### Anti-residual statement

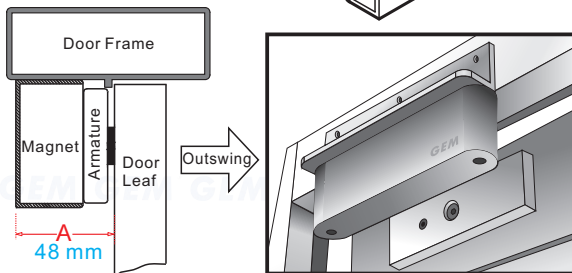
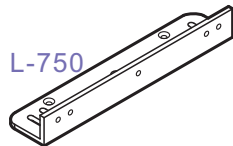
Our electromagnet locks feature Anti-Residual Magnetism (ARM) which ensures the door can be opened without any resistance from left over magnetism imparted to the armature plate

### ● Optional Brackets

Bracket installation is according to door swing direction and door frame type , e.g. narrow frame door frameless glass door inswing door etc.

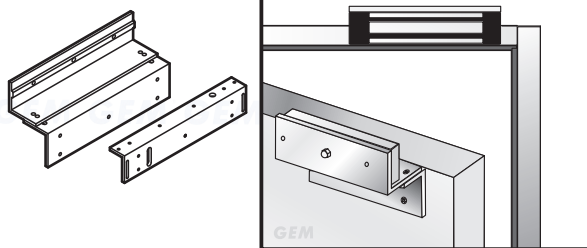
#### L-bracket for narrow door frames

When "A" < 48 mm , must install with "L" brackets.



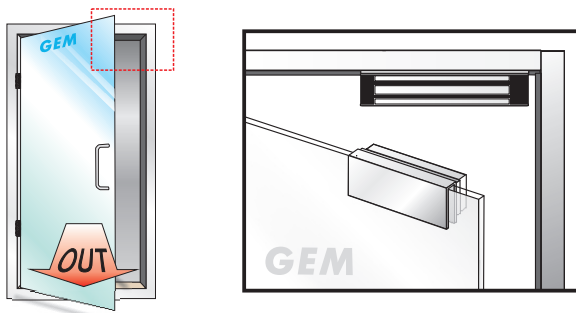
#### LZ-bracket for inswing doors

LZ-750



#### U-bracket for frameless glass doors

UBK-013 For 10~12mm glass thickness



### ● Warranty

The product is warranted against defects in material and workmanship while used in normal service for a period of 5 year from the date of sale to the original customer. The GEM policy is one of continual development and improvement; therefore GEM reserves the right to change specifications without notice.

### GIANNI INDUSTRIES, INC.