



● Specification

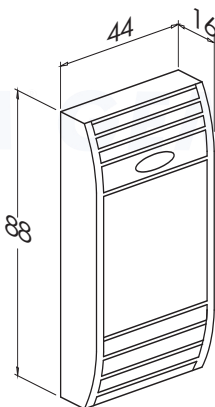
GEMPROX-26M

- Operating Voltage: 7~12VDC
- Current Draw: 100mA/12VDC
- Transmitting Frequency: Mifare 13.56 MHz
- Output Format: Wiegand 26-bit hexadecimal
- Operating Temperature: -20~70°C
- Proximity Range: about 7cm
(Depending on local installation conditions)
- Cable: 6 conductors (#24 AWG)
- Color: Black / Beige White

● Statement

GEMPROX is a mini proximity reader. The inner components are epoxy sealed for waterproof and from harsh environmental conditions. The Standard Wiegand 26 or 37 bits output is compatible with all types of online system.

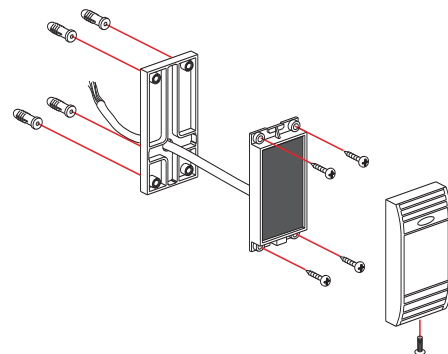
● Dimensions



Unit: mm

GEMPROX-E

- Operating Voltage: 12VDC
- Current Draw: 50mA/12VDC
- Transmitting Frequency: EM 125KHz
- Output Format: Wiegand 26-bit hexadecimal
- Operating Temperature: -20~70°C
- Read Range: about 6cm
(Depending on local installation conditions)
- Cable: 7 conductors (#24 AWG)
- Color: Black / Beige White



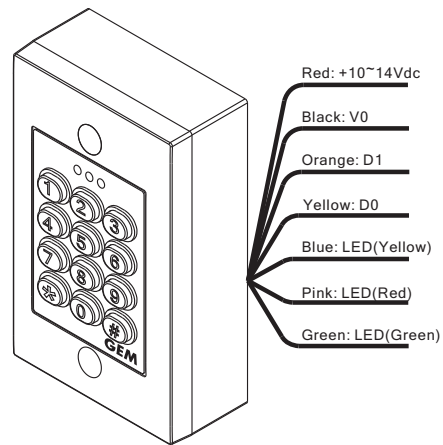
● Warranty

The product is warranted against defects in material and workmanship while used in normal service for a period of 1 year from the date of sale to the original customer. The GEM policy is one of continual development and improvement; therefore GEM reserves the right to change specifications without notice.



GEMPROX-630EM

GEMPROX-630EM-KP



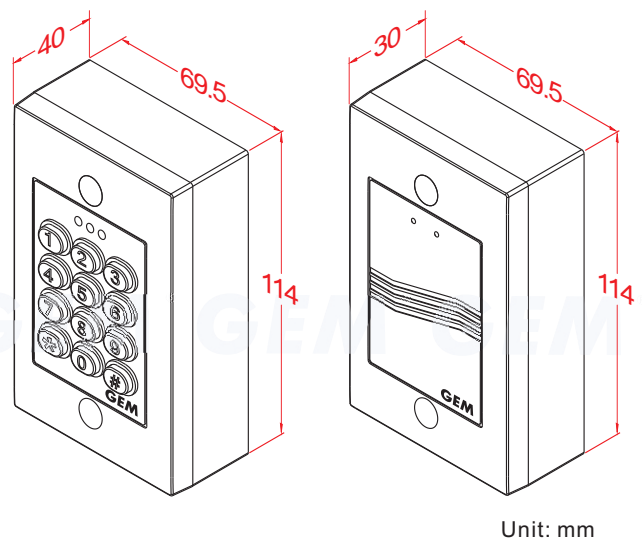
● Features

- GEMPROX-630EM reader, GEMPROX-630EM-KP reader + keypad, suitable for access control with Proximity+PIN
- Standard Wiegand 26 or 34 bits output (adjustable)
- EM-400x chip compatible
- Electronics potted with epoxy compound applications for waterproof
- Suitable for indoor/outdoor application
- Suitable for Surface Mount and Flush Mount installation (ANSI electrical box is available).
- Suitable for all brands of access controllers (Standard Wiegand 26 or 34 bits).

● Specifications

- Operating Voltage: 10~14 VDC
- Current Draw: Average 50mA/12VDC
- Transmitting Frequency : 125 KHz (EM-400x chip compatible)
- Output Format: Wiegand 26 or 34 bits hexadecimal
- Proximity Range: about 10 cm (Depending on local installation conditions)
- Case Material: ABS (UL94V0)
- Color: Black / Beige White
- Operating Temperature: -10~+55°C
- Ambient Humidity: 0~95% relative humidity non-condensing
- Visual Signals: Tri-color LED indicator (Red, Green, and Yellow)
- EMC: Meet CE requirement
- Cable: 7 conductor (#22 AWG) standard

● Dimensions



● Warranty

The product is warranted against defects in material and workmanship while used in normal service for a period of 1 year from the date of sale to the original customer. The GEM policy is one of continual development and improvement; therefore GEM reserves the right to change specifications without notice.

GIANNI INDUSTRIES, INC.

No. 13, Zhongxing Rd., Tucheng Dist., New Taipei City 236, Taiwan (R.O.C.)
 Tel: 886-2 2267 7986 / Fax: 886-2 2267 9876
 E-Mail: inquiry@gianni.com.tw
 Website: gianni.tw