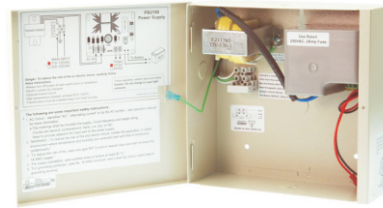


GPS-2A

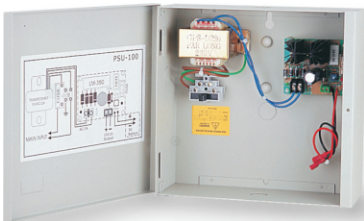
- *Power Input: 120VAC(or 230VAC)
- *Box Dimension : 225(H)*244(W)*86(D)mm
- *Short Circuit protection
- *Out put: 8~16VDC,24W, 12VDC
- *Filtered & regulated DC output
- *Rechargeable Battery
- *LED indicates power supply status



PSU100-UL



- *UL Listed for US and Canada
- *Power Input:120VAC
- *Box Dimension : 210(H)*220(W)*80(D)mm
- *Short Circuit protection
- *Specify Out put: 12VDC
- *Build-in backup battery Charger for Uninterruptible

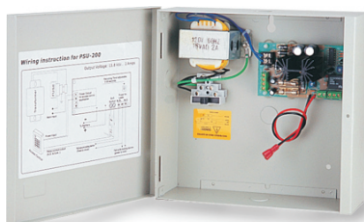


PSU-100-230-12

- *Power Input: 120VAC (or 230 VAC)
- *Box Dimension : 210(H)*220(W)*80(D)mm
- *Short Circuit protection
- *Out put: 12VDC
- *Rechargeable Battery

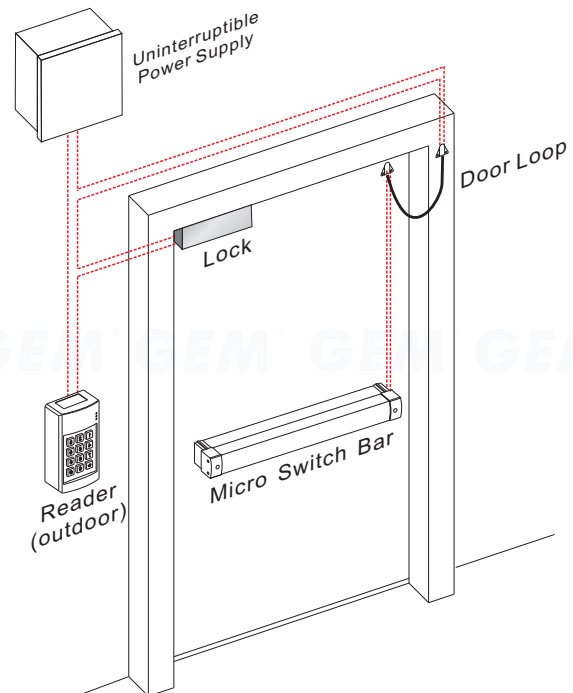
Statement

Gianni power supplies are housed in a robust, compact wall mounted steel fabricated case with lift-off hinged front panel. In the event of a mains power failure, standby power is automatically provided from battery charging output. The models are consisted a simple output and a built-in adjustable timer module (**PSU-200**)for application of door relocking on fail safe (Power to lock) or fail secure (power to unlock) locking devices.



PSU-200

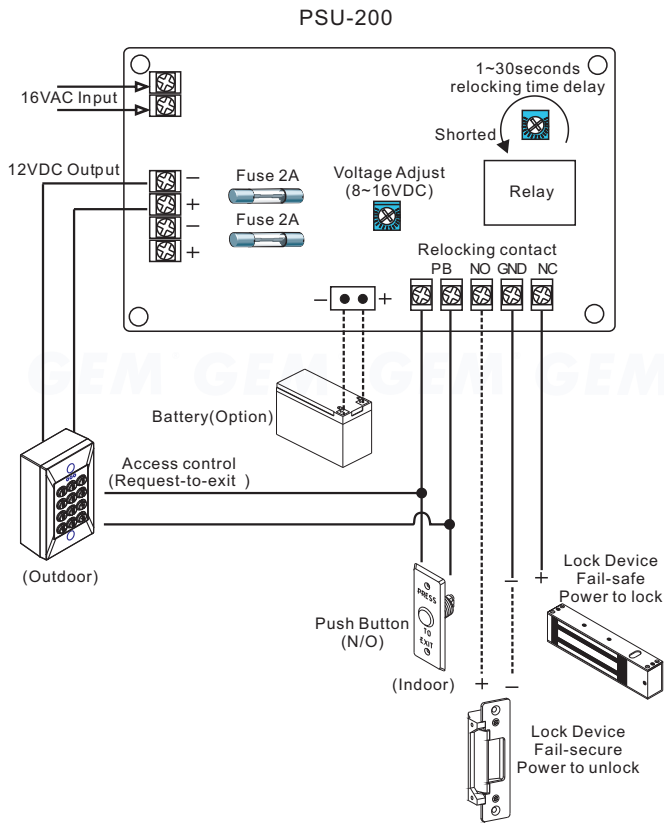
- *Power Input: 120VAC(or 230VAC)
- *Box Dimension : 210(H)*220(W)*80(D)mm
- *Short Circuit protection
- *Adjustable Timer module: 1~30 seconds
- *Output: 8~16VDC
- *Build-in backup battery Charger for Uninterruptible



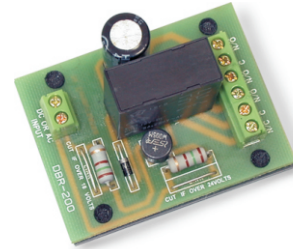
GEM GEM GEM GEM

GIANNI INDUSTRIES, INC.

● Connecting Diagram



● Optional Accessories



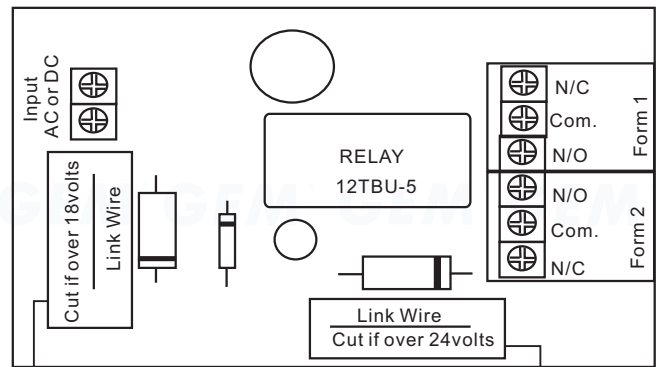
DBR-200 Relay Module

The DBR-200 Relay module is worked when power input then contacts will change over from N/C (Normally Close) to N/O (Normally Open)

Power Input: 8~30VAC, 11~30VDC

Current Draw: 45mA/12VDC

Relay rating: 5A/24VAC , 5A/30VDC



Cut off this wire when apply input voltage above 18 VDC to avoid burn of relay.

Cut off this wire when apply input voltage above 24 VDC to avoid burn of relay.

● Warranty

The product is warranted against defects in material and workmanship while used in normal service for a period of 1 year from the date of sale to the original customer. The GEM policy is one of continual development and improvement; therefore GEM reserves the right to change specifications without notice.

GIANNI INDUSTRIES, INC.