



Features

- ✔ Powerful shear holding force provides high security.
- ✔ Compatible with double swing doors.
- ✔ Suitable for narrow door width installation.
- ✔ Optional SMB-001 bracket for surface mount installation.
- ✔ Horizontal or vertical installation.
- ✔ Anti-Residual magnetism design.
- ✔ Power input 12~ 24 VDC (self-regulating).

Statement

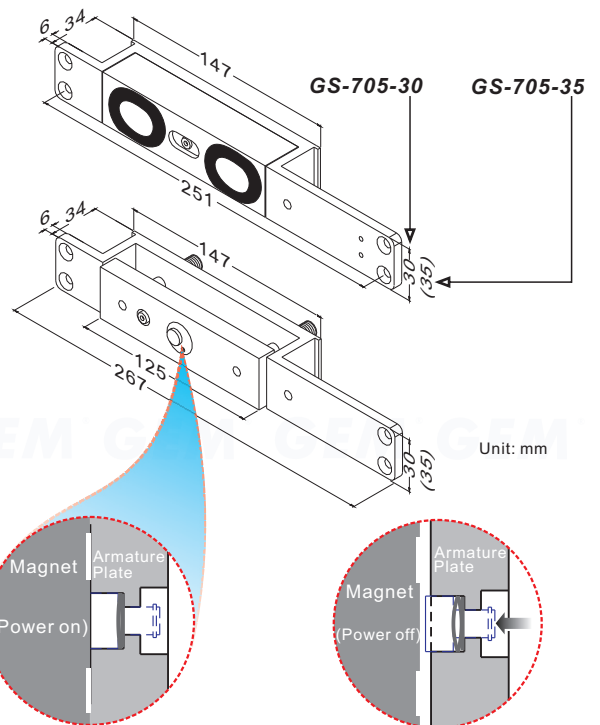
GS705 Shear Locks provide strong shear holding force, securing the door against any invasion. They can be installed on various kinds of doors, such as aluminum, wooden, steel or exit doors. An optional bracket, SMB-001, is provided for surface mounting on narrow width of doors. The lock bolt remains unlocked (fail-safe version), permitting free access and entry, in the event of power or system failure. In addition the series allow adjustable relock time from 1 to 6 seconds.

Patent:

- 113640
- ZL96-2-15062.2

Specification

- Operating Voltage: 12~24VDC
- Current Draw:
 - GS705-35: Pull in: 1.9A , Holding: 0.55A/12VDC
Pull in: 1.2A , Holding: 0.35A/24VDC
 - GS705-30: Pull in: 1.7A , Holding: 0.5A/12VDC
Pull in: 1.1A , Holding: 0.32A/24VDC
 (at 20°C)
- Magnetic bond sensor monitor output (SPDT rated: 1A/30VDC) , indicates the locked or unlocked status of the door .
- Locking time delay: 1~6 seconds adjustable
- Operating Temperature: -30°C~+55°C
- Humidity: 0~95% non-condensing.
- Shear holding force: 2,000lbs (GS705-30) , 2,200lbs (GS705-35)
- Special Finishes for magnet and armature plate: Zinc plated
- Epoxy Potting Compound: E87252(S) , UL94V-0
- Door Gap (Between the lock and armature plate): 3mm (1/8") maximum.
- Net Weight: GS705-35: 2.2Kg , GS705-30: 1.8Kg



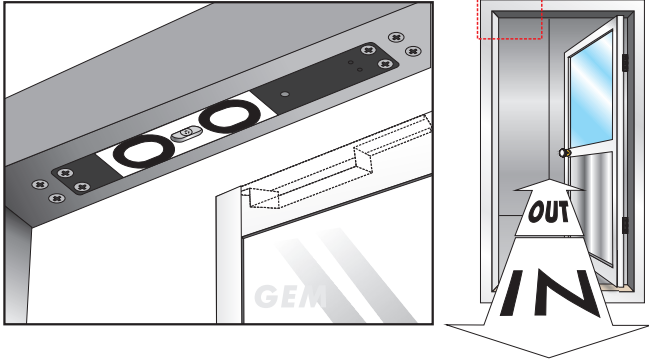
Anti-Residual Magnetism design

Our electromagnet locks feature Anti-Residual Magnetism (ARM) which ensures the door can be opened without any resistance from left over magnetism imparted to the armature plate.

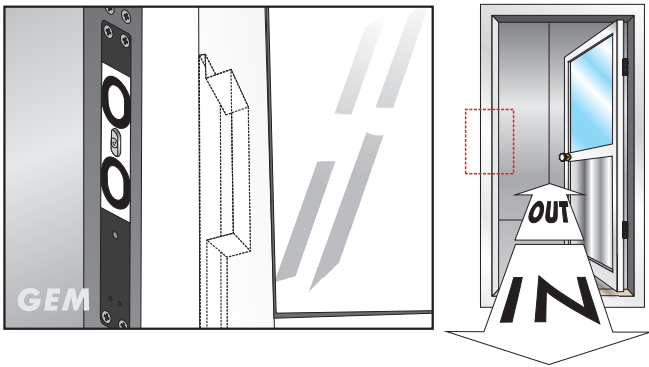
GIANNI INDUSTRIES, INC.

● Application

Horizontal Installation

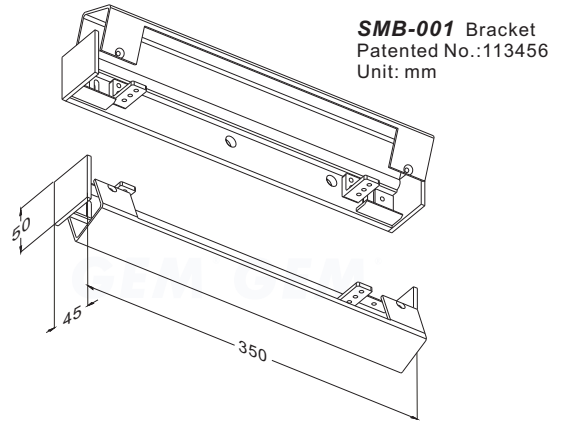


Vertical Installation

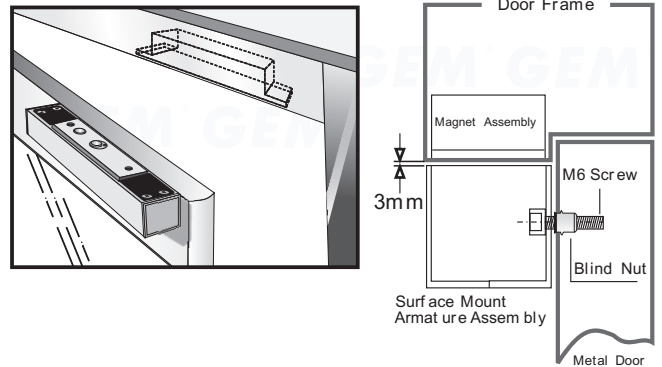


● Optional Bracket

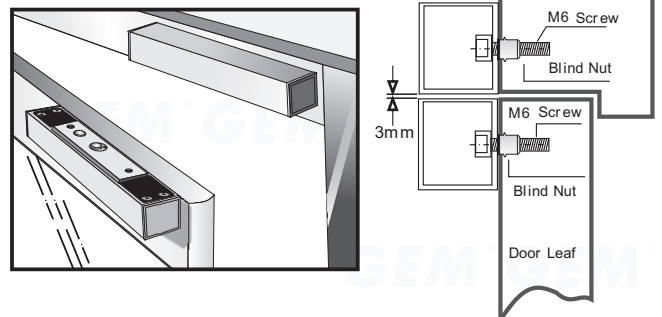
The GS705-35 may also be fitted semi-surface or surface installation with the use of the SMB-001 bracket. The magnet should be fitted to the door transom and the housing holding armature on to the door. It is vital that a minimum gap of 3mm exists between the magnet and the armature, to allow correct operation.



Semi-Surface Installation



Surface Installation



● Warranty

The product is warranted against defects in material and workmanship while used in normal service for a period of 5 years from the date of sale to the original customer. The GEM policy is one of continual development and improvement; therefore GEM reserves the right to change specifications without notice.

GIANNI INDUSTRIES, INC.