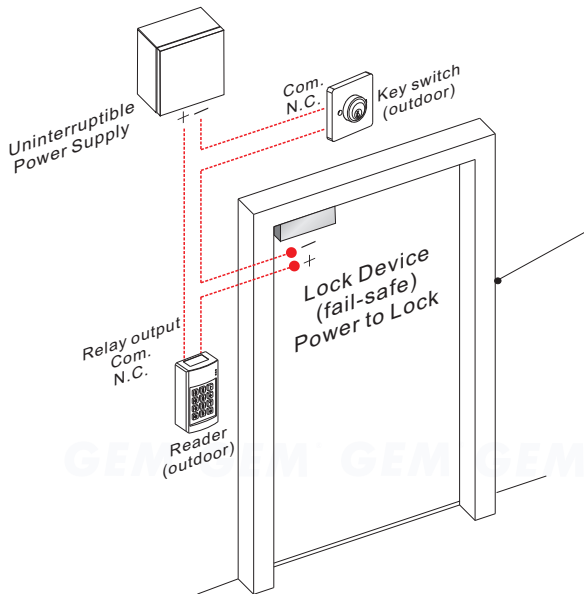


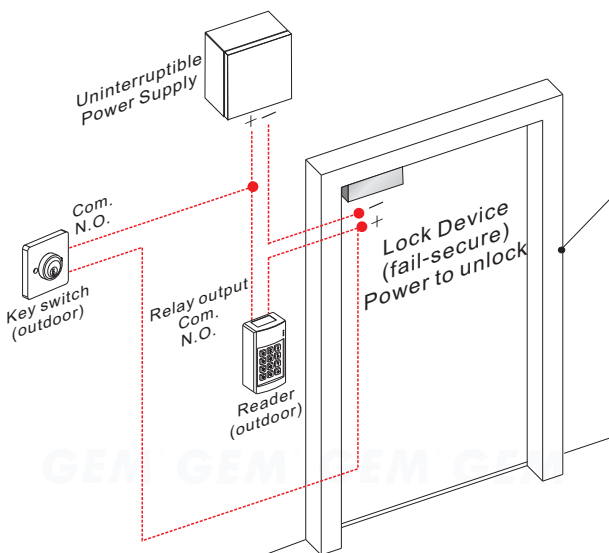
### ● Statement

Key Switches are installed in secure locations outside wired, in parallel or series with the power supply and the electromagnetic lock. If the electromagnetic lock cannot be opened due to failure of the proximity reader or other incidents, the user can switch between normally closed (N.C.) and normally open (N.O.) contacts by the key, forcing the door to open. This acts as a backup to access control systems.



#### The connection for fail-safe lock devices :

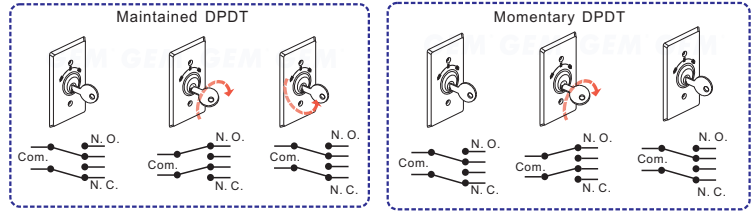
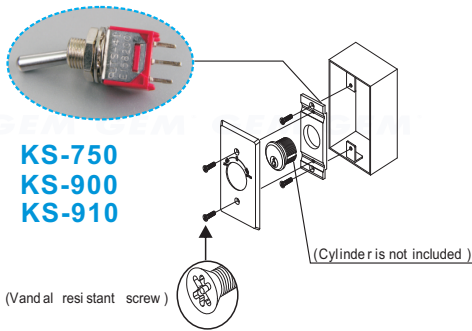
Ex: The electromagnetic locks. Please connect the Com. and N. C. of the key switch in series with the power supply and the electromagnetic lock. If the electromagnetic lock cannot be opened due to failure of proximity reader or other incidents, the user can switch to N.O. contact by the key, forcing the door to open.



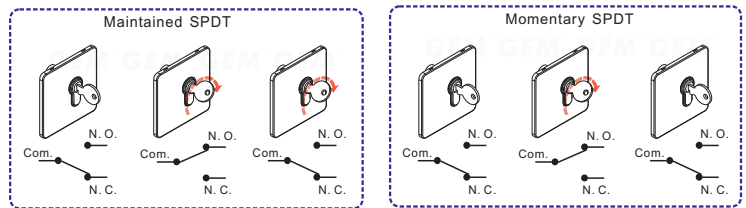
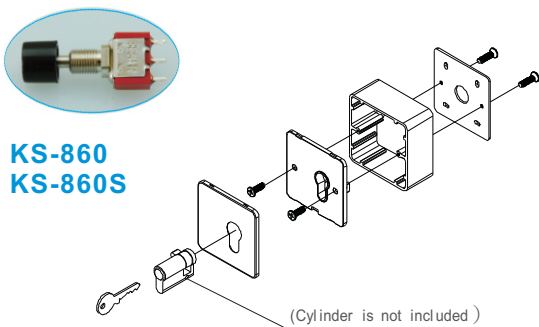
#### The connection for fail-secure lock devices :

Please connect the Com. and N. O. of the key switch in parallel with the power supply and the electric lock. If the electric lock cannot be opened due to failure of proximity reader or other incidents, the user can switch to N.C. contact by the key, forcing the door to open.

### ● Momentary (or Maintained) DPDT



### ● Momentary (or Maintained) SPDT



### ● ANSI Sized Faceplate



Stainless steel faceplate  
 Momentary (or Maintained) SPDT  
 Switch rating : 5A/125 VAC  
 Mortise mount or with **SMB-750** back box for  
 surface mount (**KS-750-S**)

**KS-750LD** LED indicates the status of  
 micro switch contacts



**KS-750LD** LED indicates the status of  
 micro switch contacts



SMB-050

SMB-750

GIANNI INDUSTRIES, INC.



KS-750-S  
KS-750-C (cylinder included)

Stainless Steel Faceplate  
Momentary (or Maintained) DPDT  
Switch rating :5A/125VAC



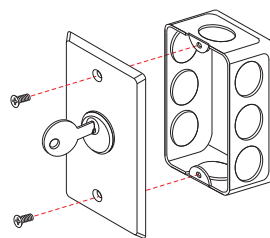
KS-700W (Mortise Mount)  
KS-700WS (Surface Mount)

Stainless Steel Faceplate  
Momentary (or Maintained) SPDT  
Switch rating: 5A/125VAC  
With SMB-700 or SMB-050 back box for surface mount



KS-500 (cylinder included)

Stainless Steel Faceplate  
Momentary SPDT switch  
Switch rating:5A/125VAC



ANSI standard electric box(not included)

### British Standard Sized Faceplate

British size faceplate can be mounted directly in British standard electric box (mortise mount) or with SMB-86ALU back box for surface mount.



KS-860

KS-860S

Stainless steel casing  
Monitor  
With Euro Profile Cylinder (Cylinder is not included)  
Switch rating:4A/125VAC  
Contact Resistance: 50mΩ Max.



SMB-86ALU-01 (source material)



SMB-86ALU-02 (anodized and brushed)



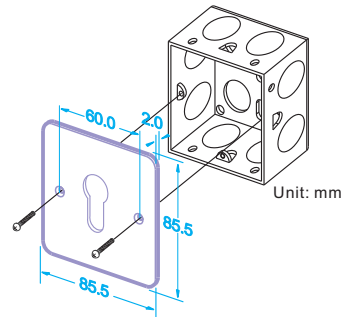
SMB-86ALU-03 (chromium plated)

GIANNI INDUSTRIES, INC.



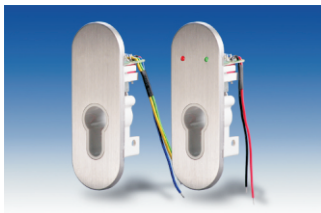
**KS-7510A**

Stainless steel faceplate  
Momentary SPDT switch  
Switch rating:4A/125VAC  
Contact Resistance:50mΩ Max.



British standard electric box( not included)

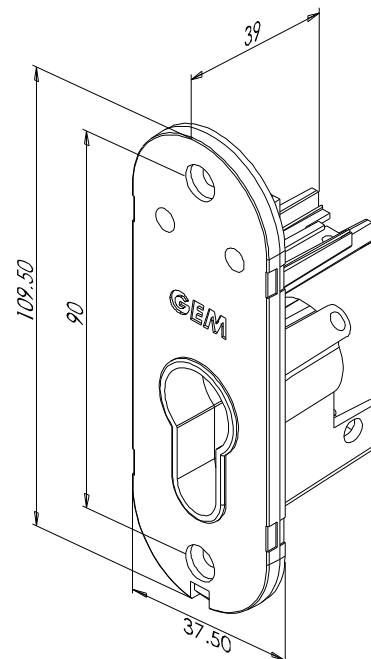
### ● Narrow Size Faceplate



**KS-900 / KS-910**  
**KS-900LD / KS-910LD**

Stainless steel faceplate  
Mortise mount  
Maintained DPDT (KS-900)  
Momentary DPDT (KS-910)  
Maintained SPDT (KS-900LD)  
Momentary SPDT (KS-910LD)  
Switch rating:5A/125VAC  
**KS-900LD / KS-910LD** LED indicates the status of micro switch contacts

**KS-900LD / KS-910LD** LED indicates the status of micro switch contacts



**SMB-370ALU**

With **SMB-370ALU** back box for surface mount

### ● Warranty

The product is warranted against defects in material and workmanship while used in normal service for a period of 5 years from the date of sale to the original customer. The GEM policy is one of continual development and improvement; therefore GEM reserves the right to change specifications without notice.